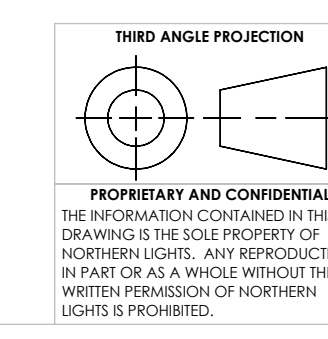
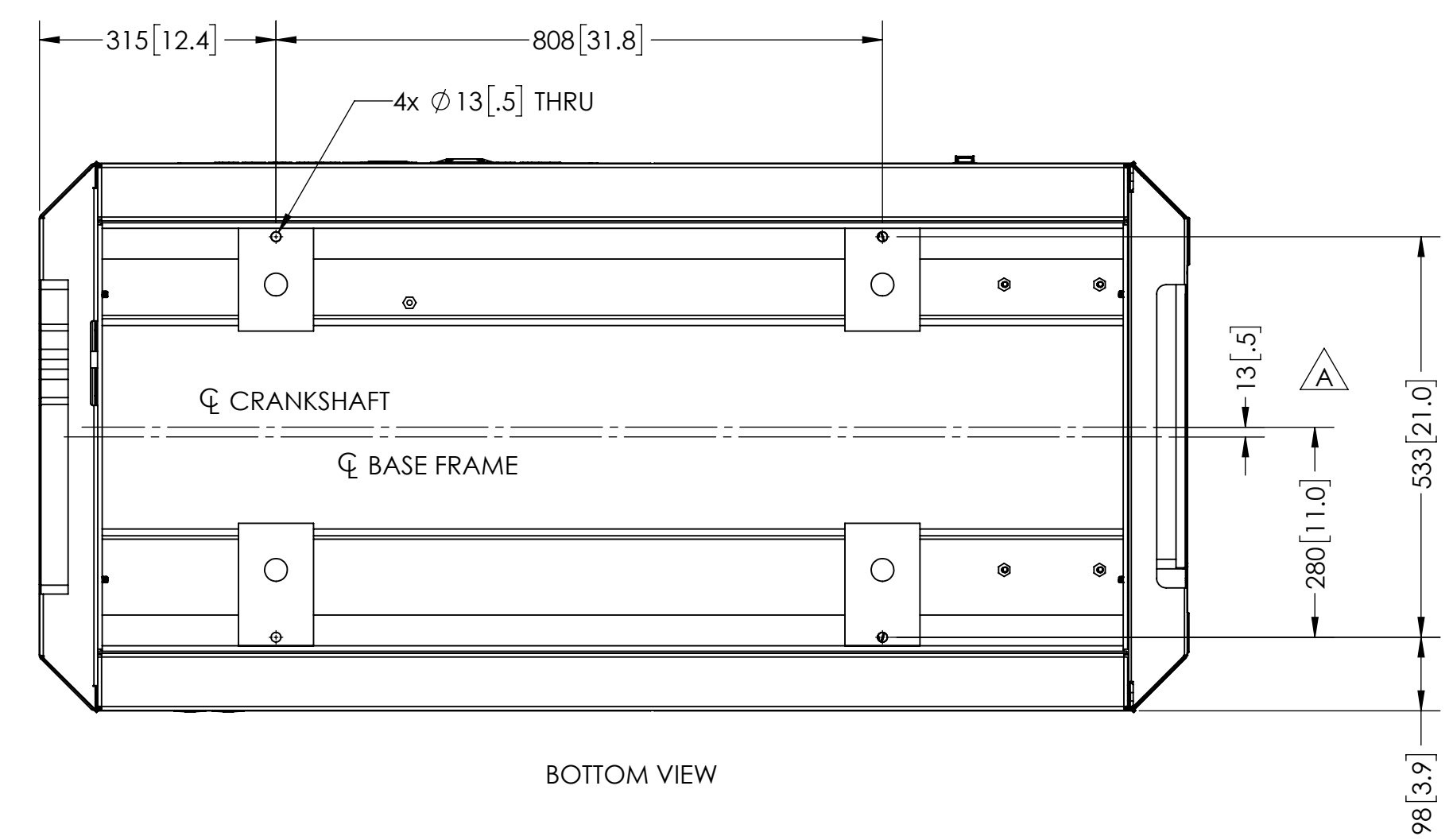
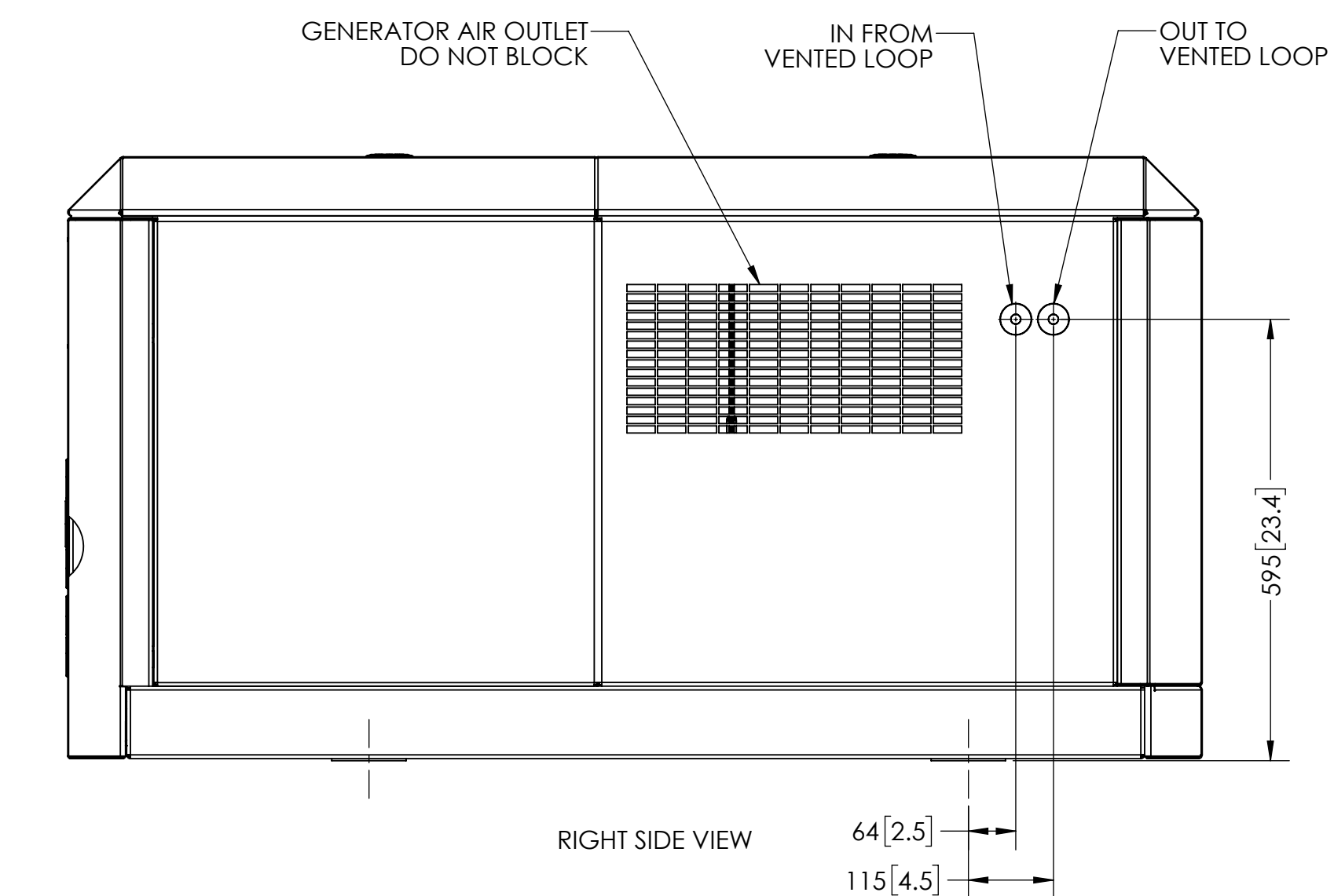
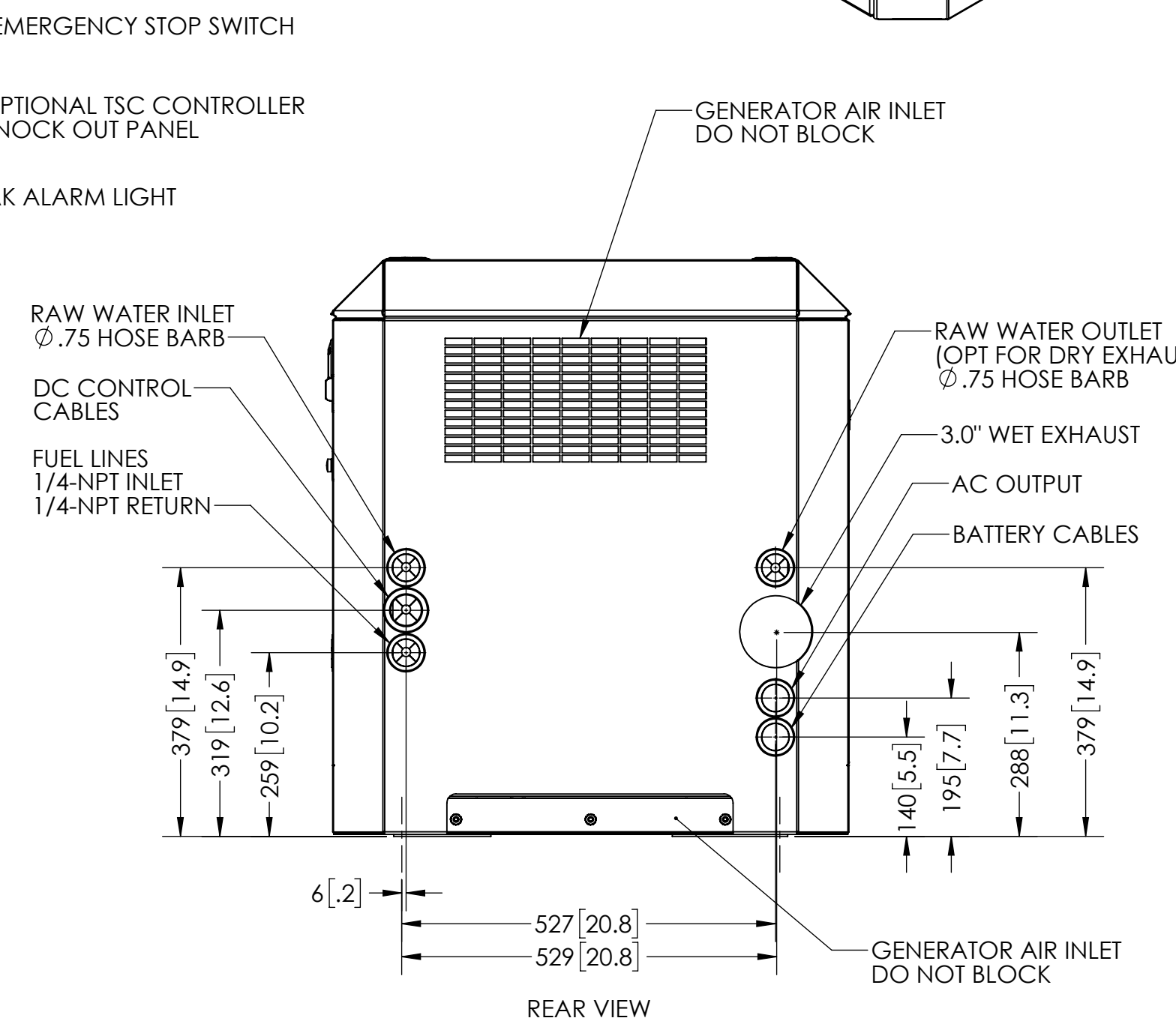
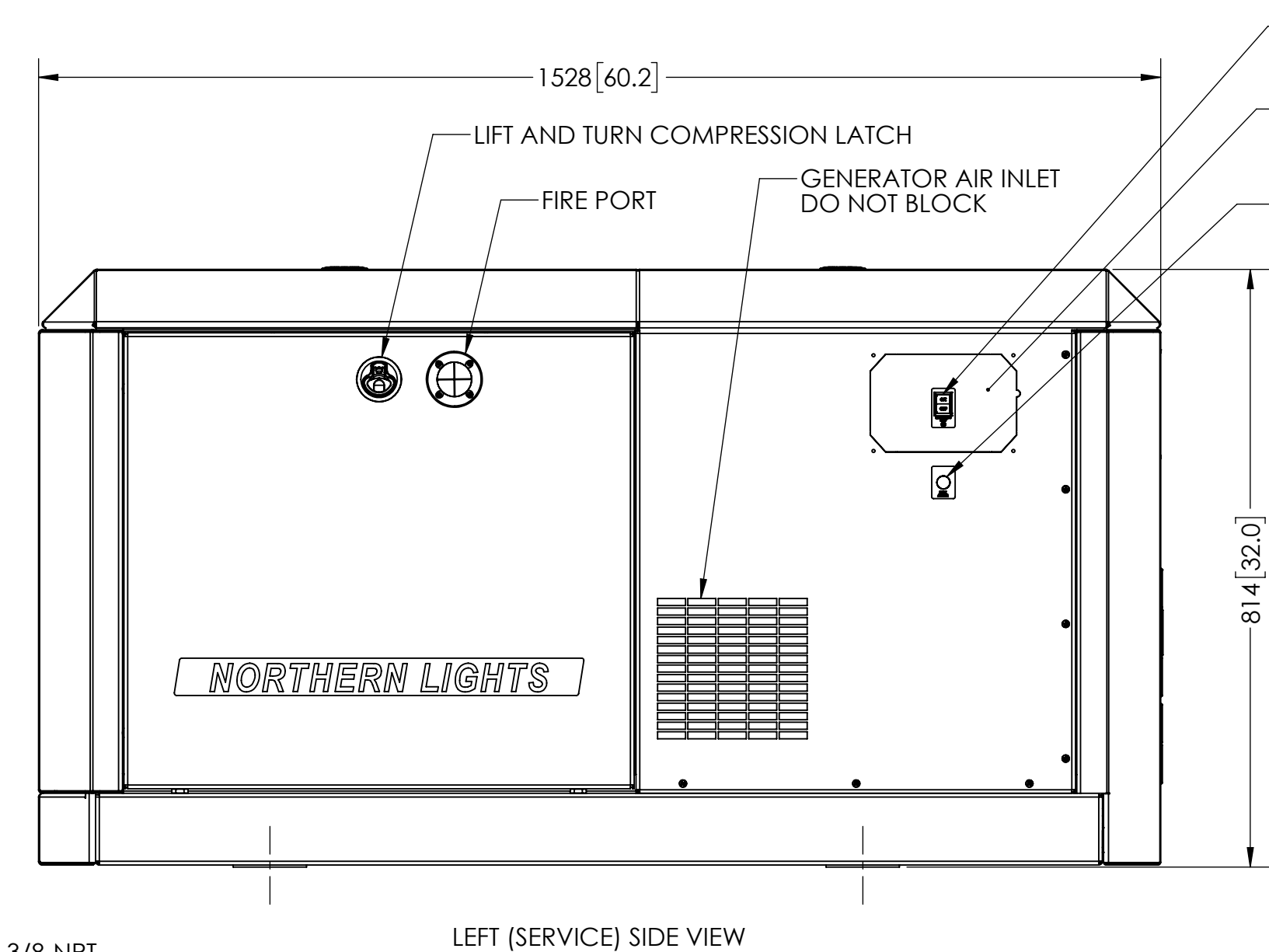
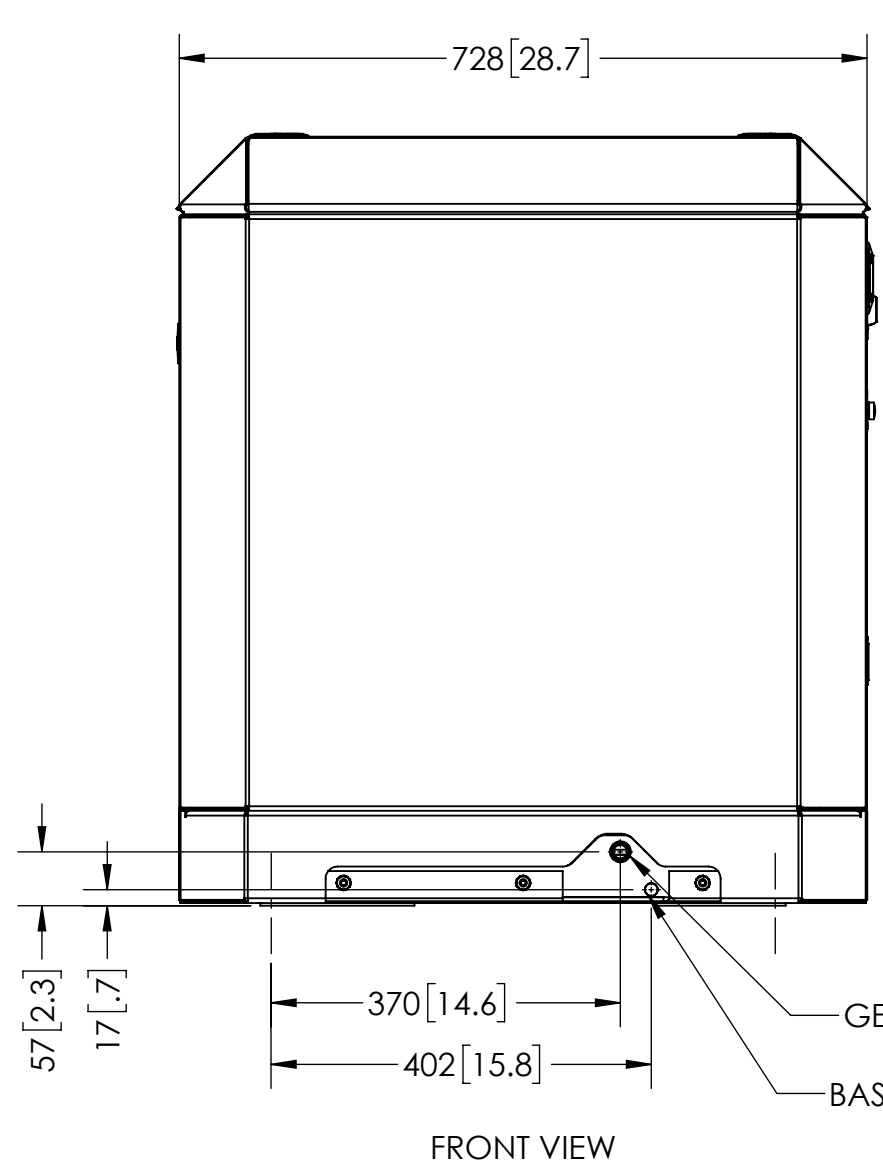
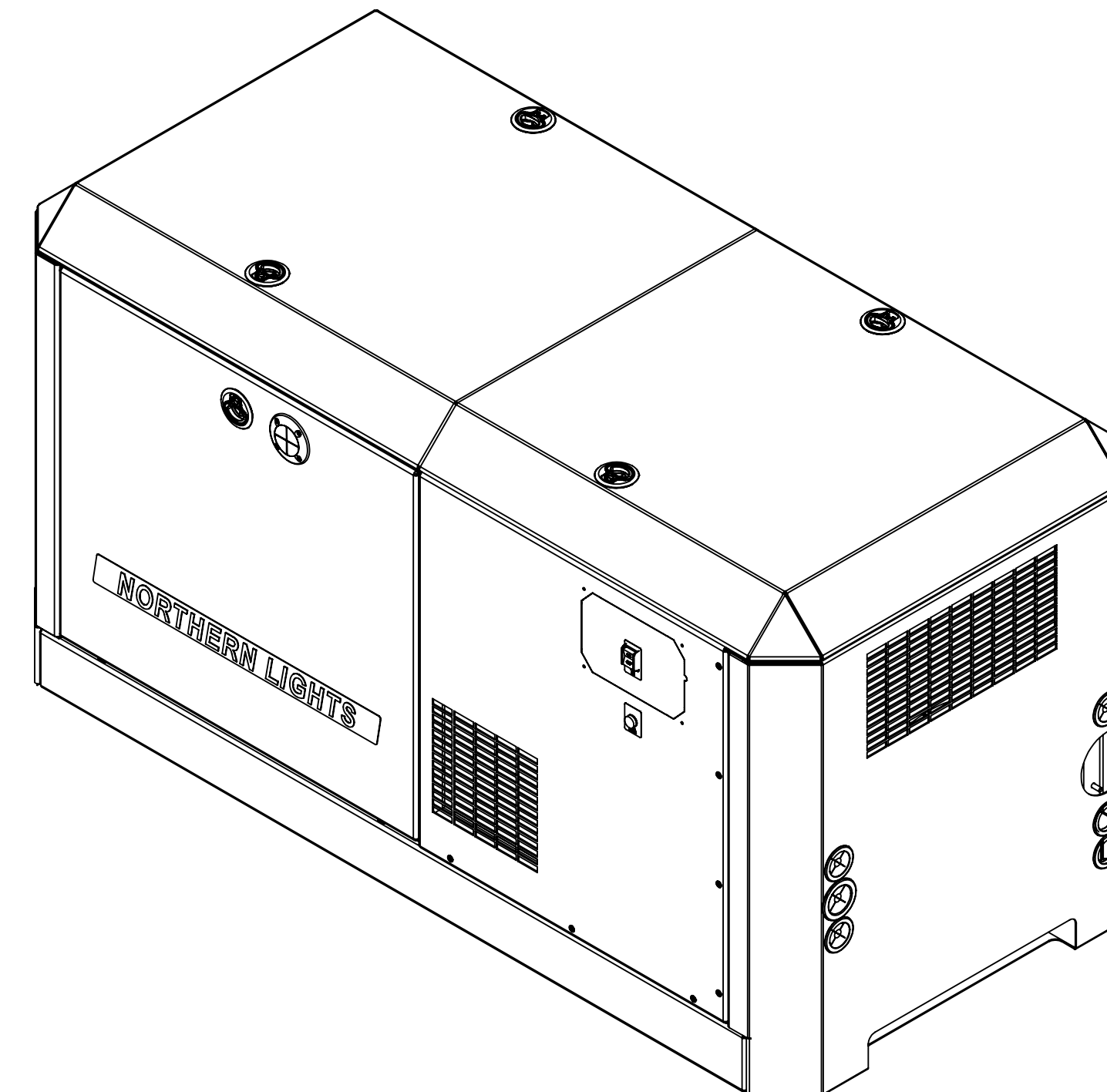
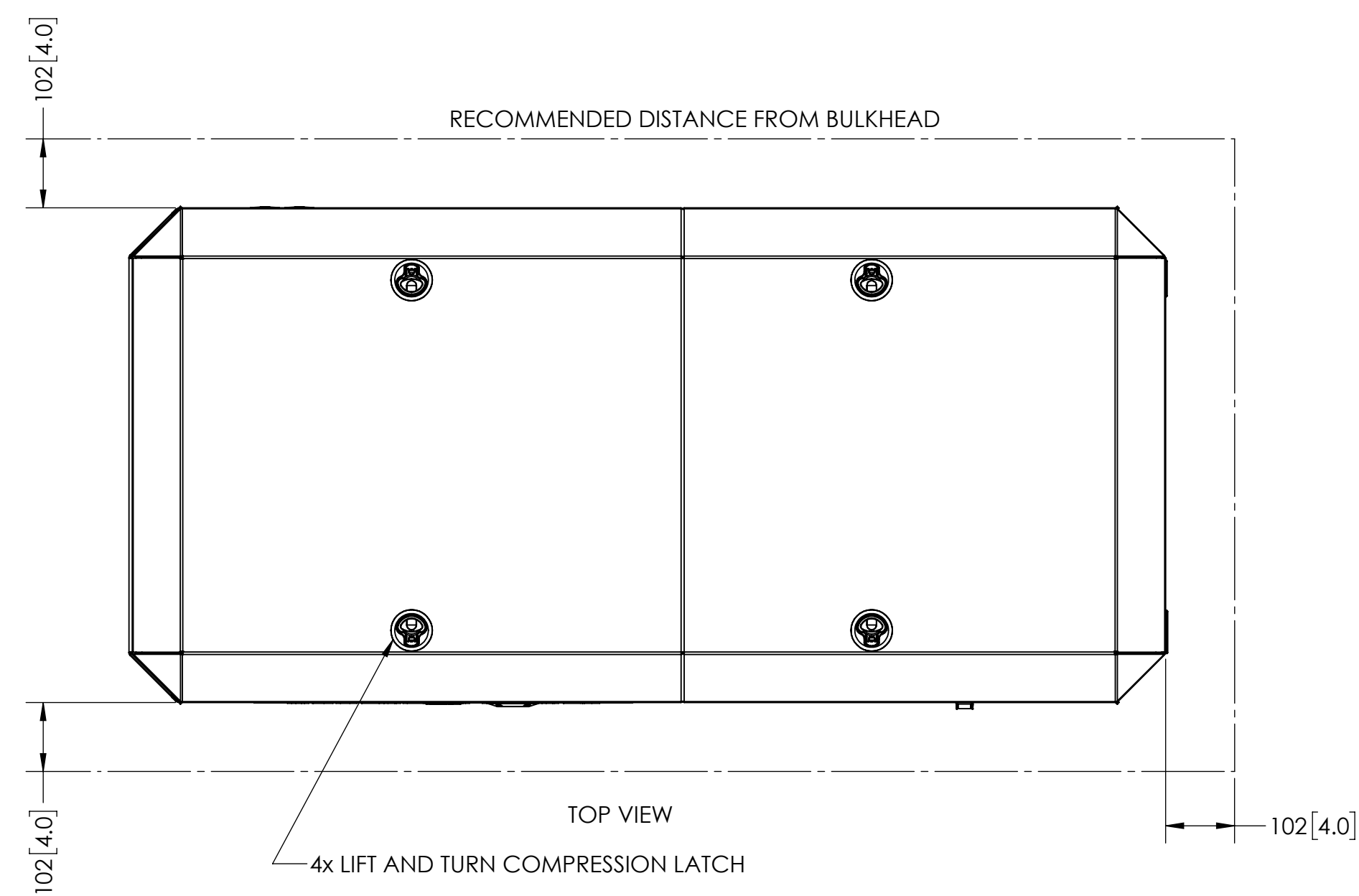


WEIGHT W/O GENSET	WEIGHT W/ GENSET
44 kg [98 lbs]	674 kg [1486 lbs]
APPLIES TO MODELS	
M944TG.1	
M944TG.5	
M944TG.7	



UNLESS OTHERWISE SPECIFIED:  
DIMENSIONS ARE IN INCHES  
TOLERANCES:  
ANGULAR: 0.5°  
HORIZONTAL: 0.1°  
VERTICAL: 0.1°  
X.XX ± 0.03  
X.XXX ± 0.005  
INTERPRET GEOMETRIC TOLERANCING PER ASME Y14.5M

REV.	DESCRIPTION	DATE	BY	CHECKED
A	UPDATE BASE FRAME WITH 13MM OFFSET, ADD ISOMETRIC VIEW AND APPLICATION TABLE. ECN# 7853	3/7/2022	MK	LTP

REVISIONS

NAME	DATE
DRAWN MK	10/16/19
CHECKED LTP	10/16/19
ENG APPR.	
MFG APPR.	
Q.A.	

COMMENTS:

DO NOT SCALE

**NORTHERN LIGHTS**

4420 14th AVE. N.W.  
Seattle, WA 98107  
(206) 789-3880  
www.northern-lights.com

TITLE: **INSTALLATION DIMENSIONS M944T GEM SOUND SHIELD**

SIZE	PART NO.	DWG. NO.	REV
D	06-71300	D-5195	A

SCALE: 1:8 WEIGHT: 44.4 kg [98 lbs] SHEET 1 OF 1