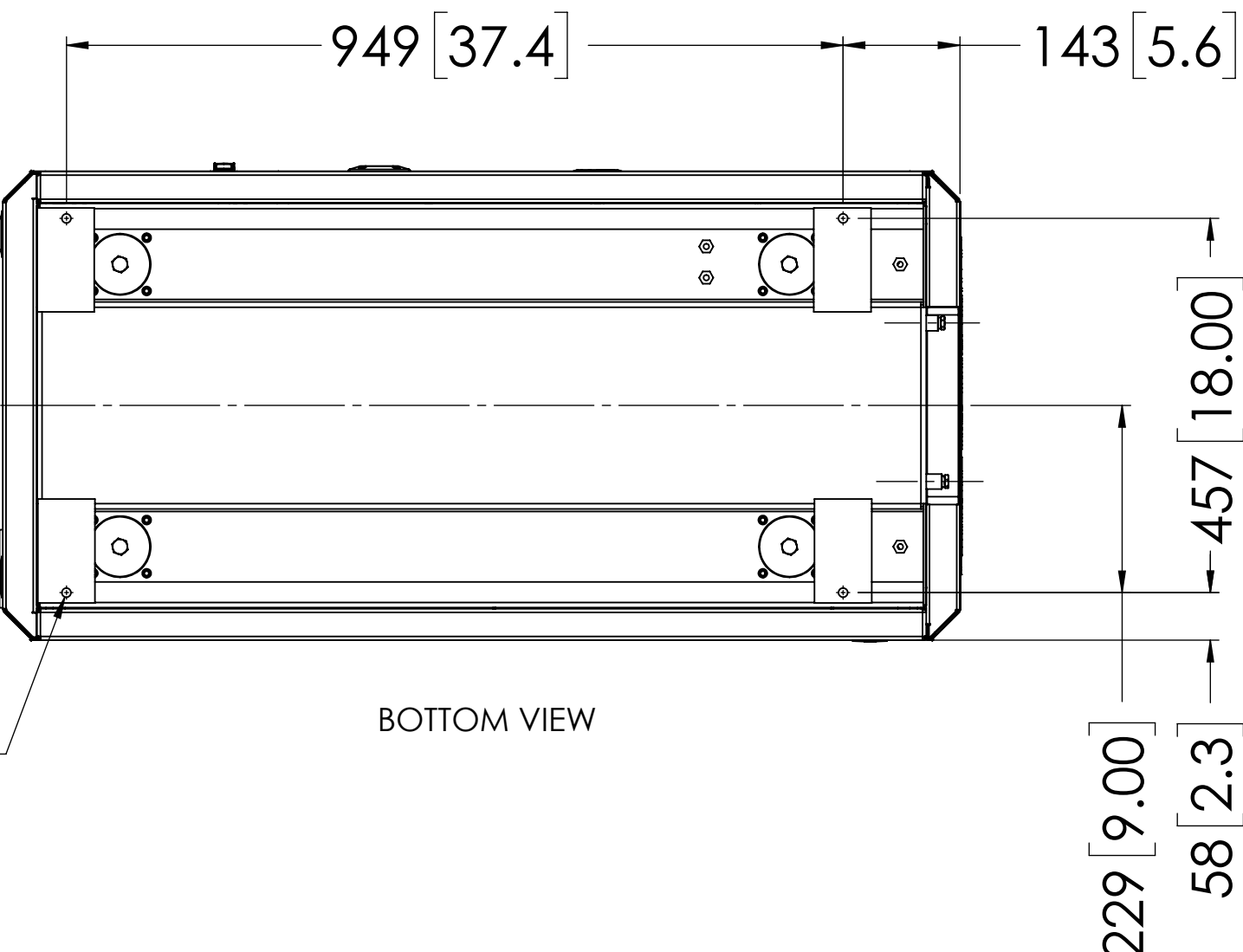
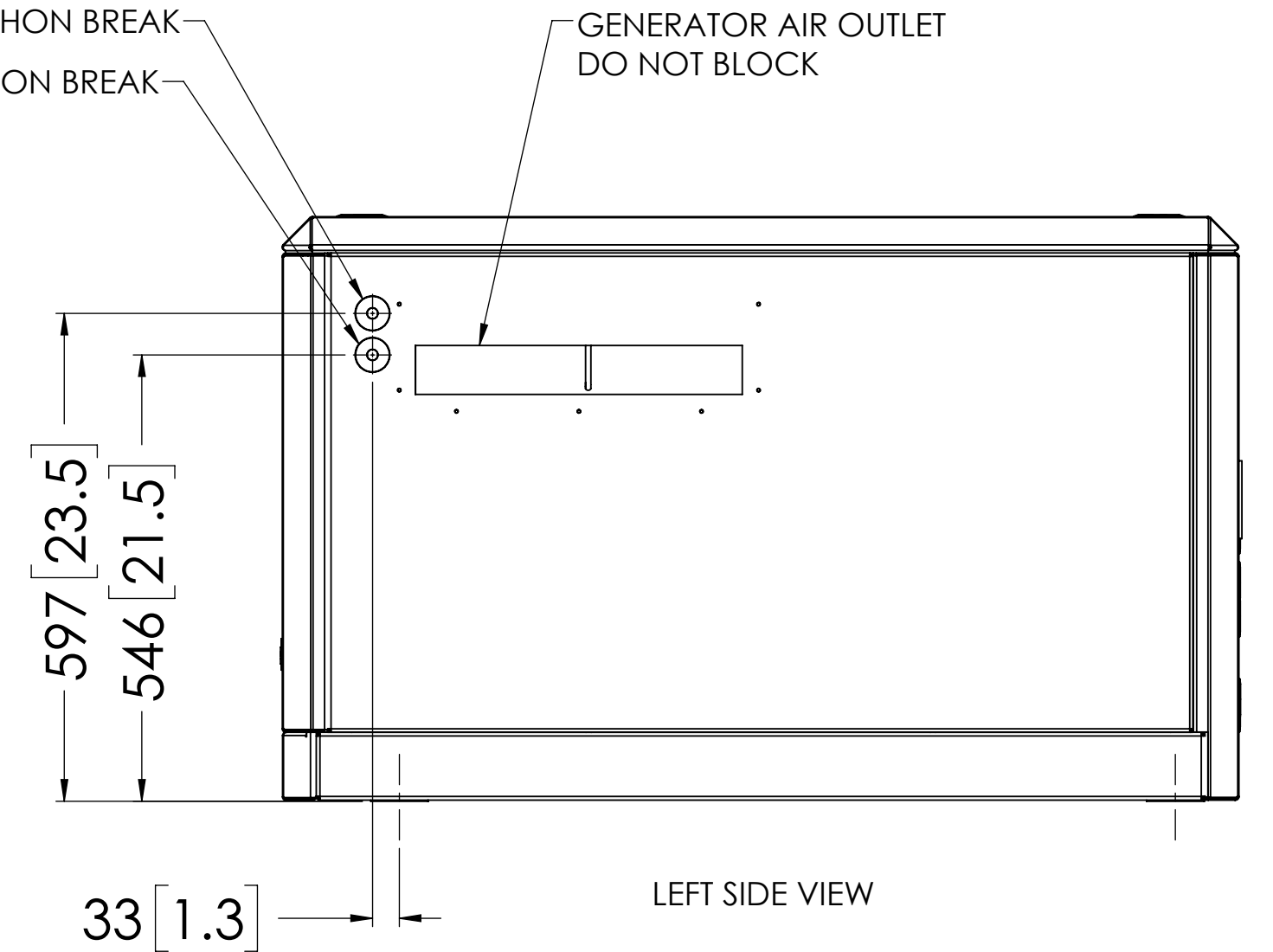
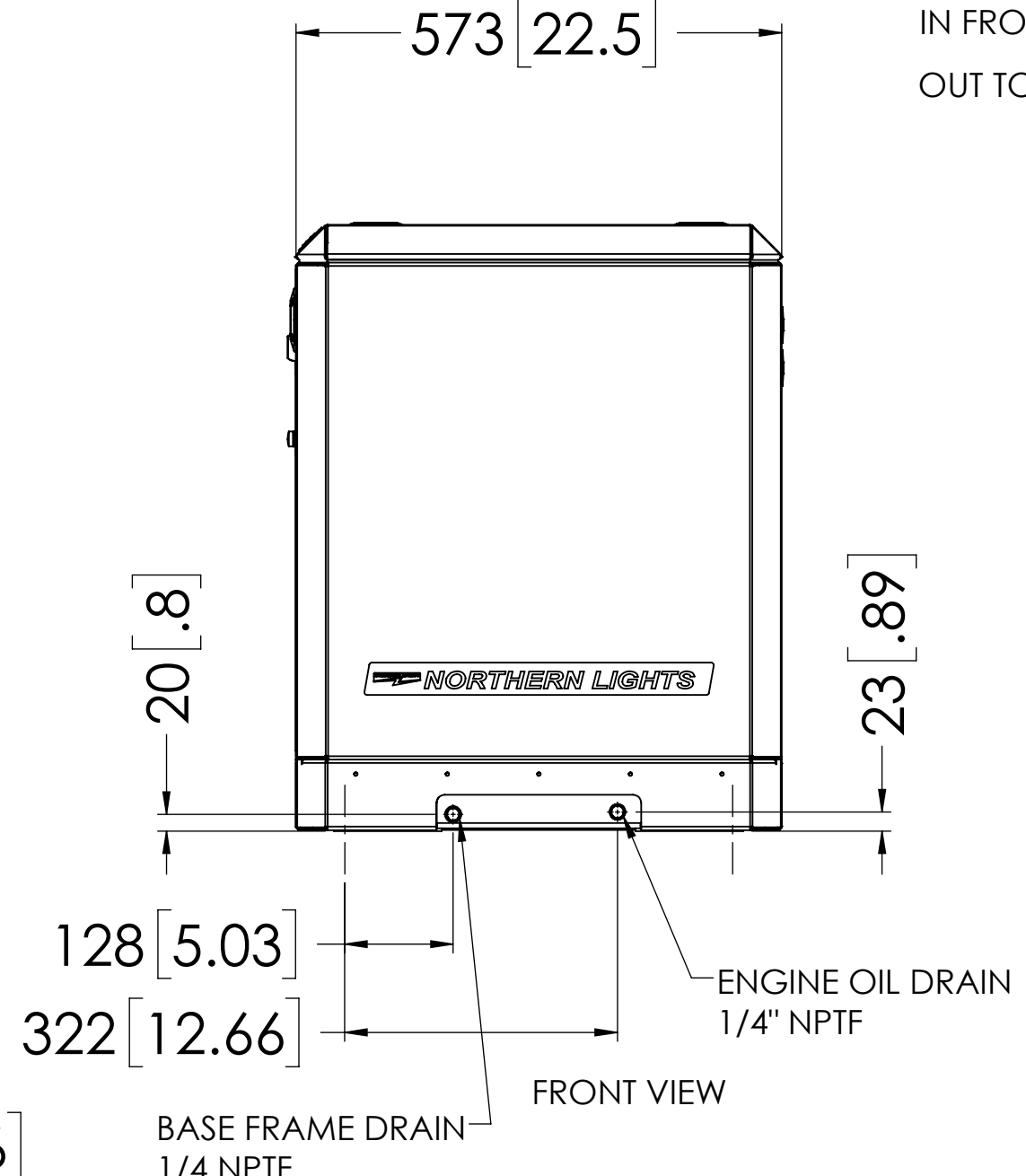
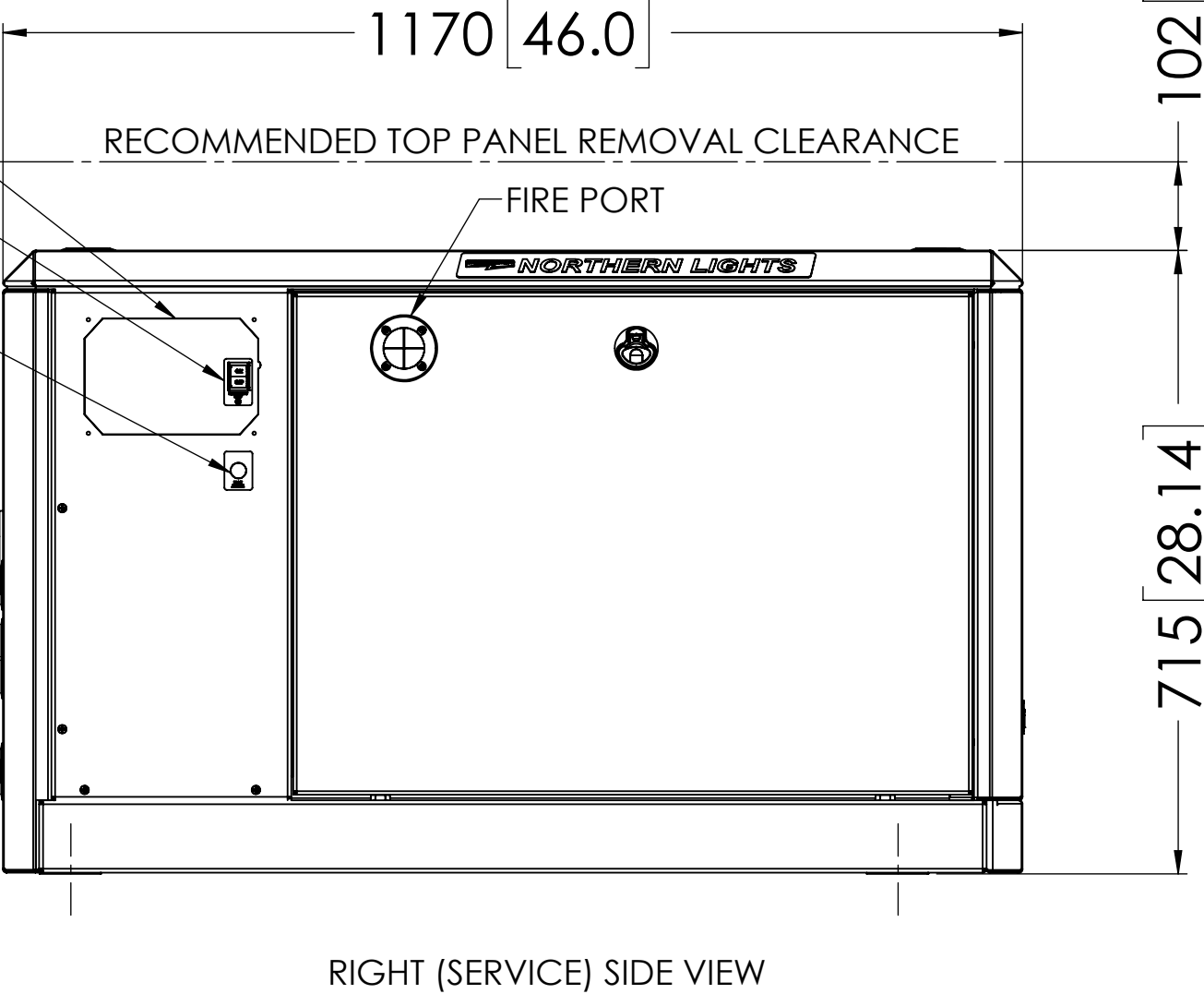
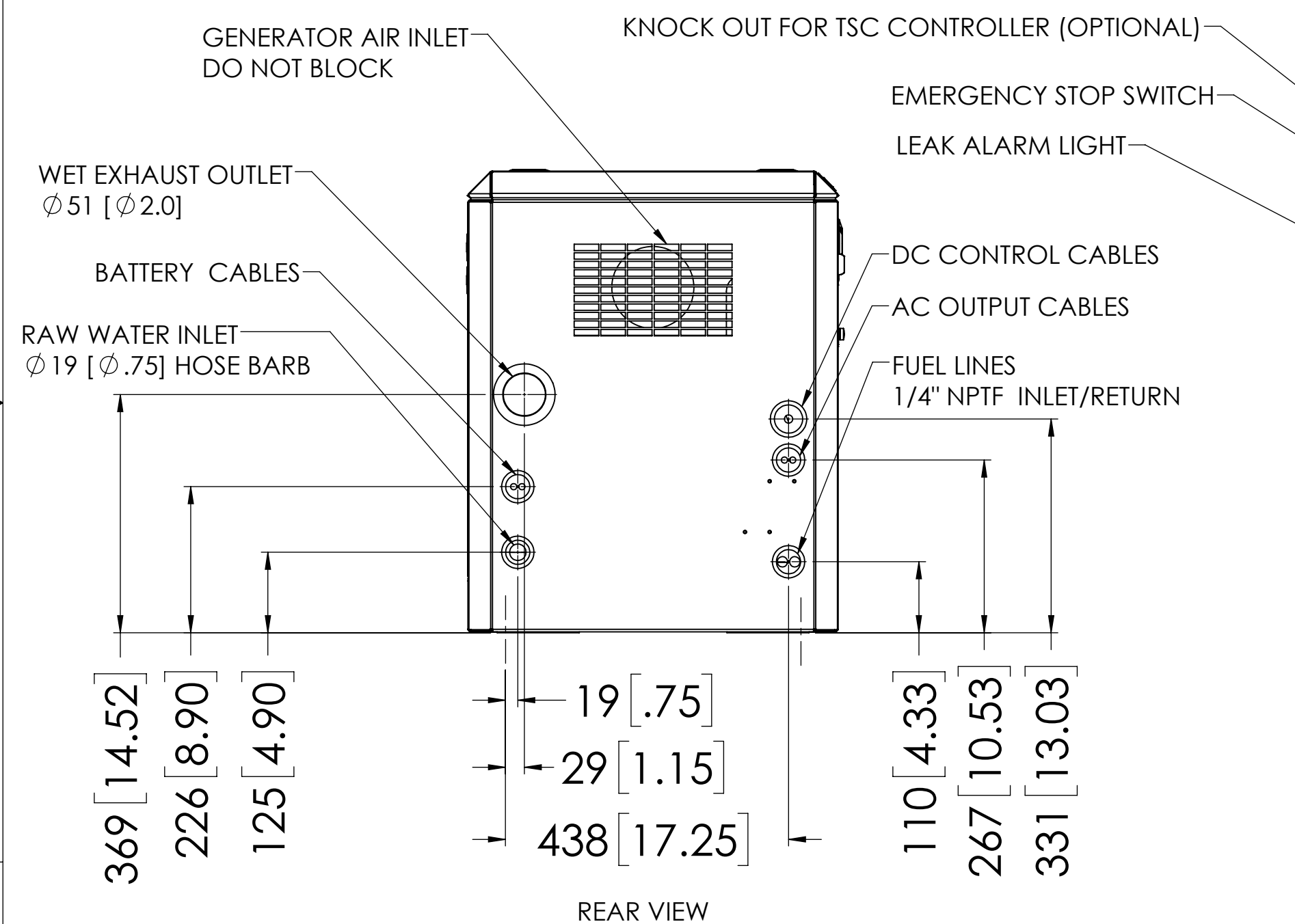
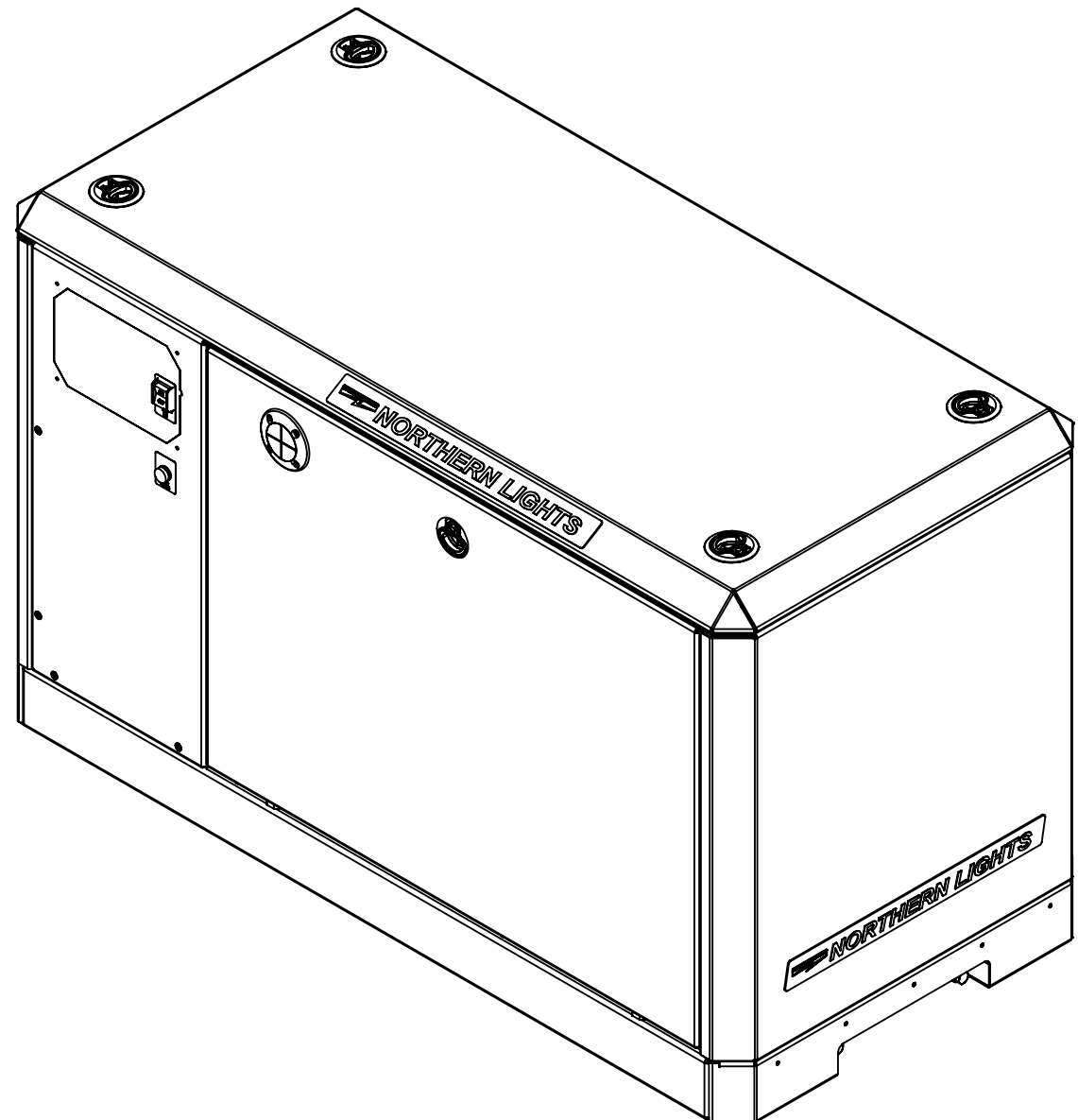
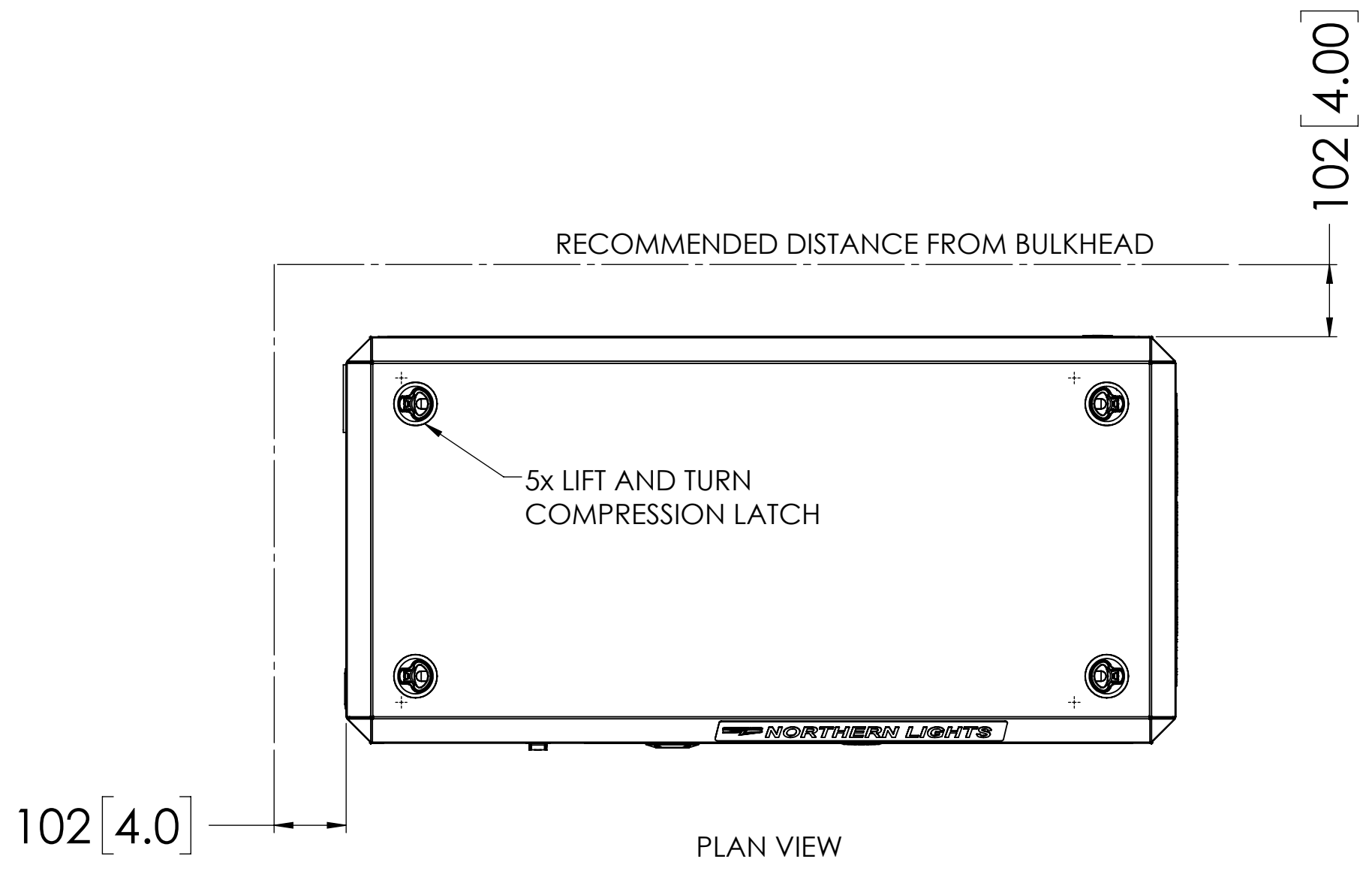
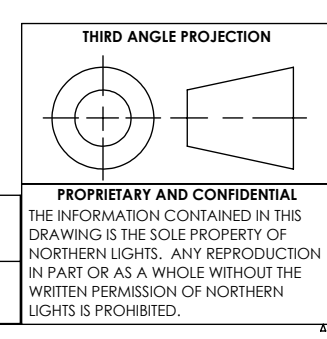


GENERATOR APPLICATION TABLE	
M844LW3G.1	20KW 1800 RPM 3 PHASE 60 HZ.
M844LW3G.3	20KW 1800 RPM 1 PHASE 60 HZ.
M844LW3G.5	16KW 1500 RPM 3 PHASE 50 HZ.
M844LW3G.7	16 KW 1500 RPM 1 PHASE 50 HZ.
M844DW3G.1	16KW 1800 RPM 3 PHASE 60 HZ.
M844DW3G.3	16KW 1800 RPM 1 PHASE 60 HZ.
M844DW3G.5	14KW 1500 RPM 3 PHASE 50 HZ.
M844DW3G.7	14KW 1500 RPM 1 PHASE 50 HZ.



THE DIMENSIONS ON THE DRAWING ARE SUBJECT TO CHANGE, PLEASE CONTACT NORTHERN-LIGHTS INC. TO BE SURE YOU HAVE THE MOST CURRENT REVISION.

WEIGHT SHIELD ONLY	WEIGHT W/GENSET
26.7 kg [59 lb.]	464 kg [1024 lbs.]



UNLESS OTHERWISE SPECIFIED:	NAME	DATE
DIMENSIONS ARE IN MILLIMETERS	LTP	1/20/2023
TOLERANCES:	CHECKED	
ANGULAR: MACH ± 0.5° BEND ± 1.0°	ENG APPR.	
X ± 0.5	MFG APPR.	
.XX ± 0.3	G.A.	
INTERPRET GEOMETRIC TOLERANCING PER ASME Y14.5M	COMMENTS:	
MATERIAL:	SEE GENERATOR APPLICATION TABLE	
FINISH:	REPLACES P/N:	
DO NOT SCALE	06-78100 D-5103	

NORTHERN LIGHTS		4420 14th AVE. N.W. Seattle, WA 98107 (206) 789-3880 www.northern-lights.com	
TITLE: INSTALLATION DIMENSIONS M844 GEM SOUND SHIELD			
SIZE	PART NO.	DWG. NO.	REV
D	06-78450	D-5513	
SCALE: 1:8	WEIGHT:	SHEET 1 OF 1	