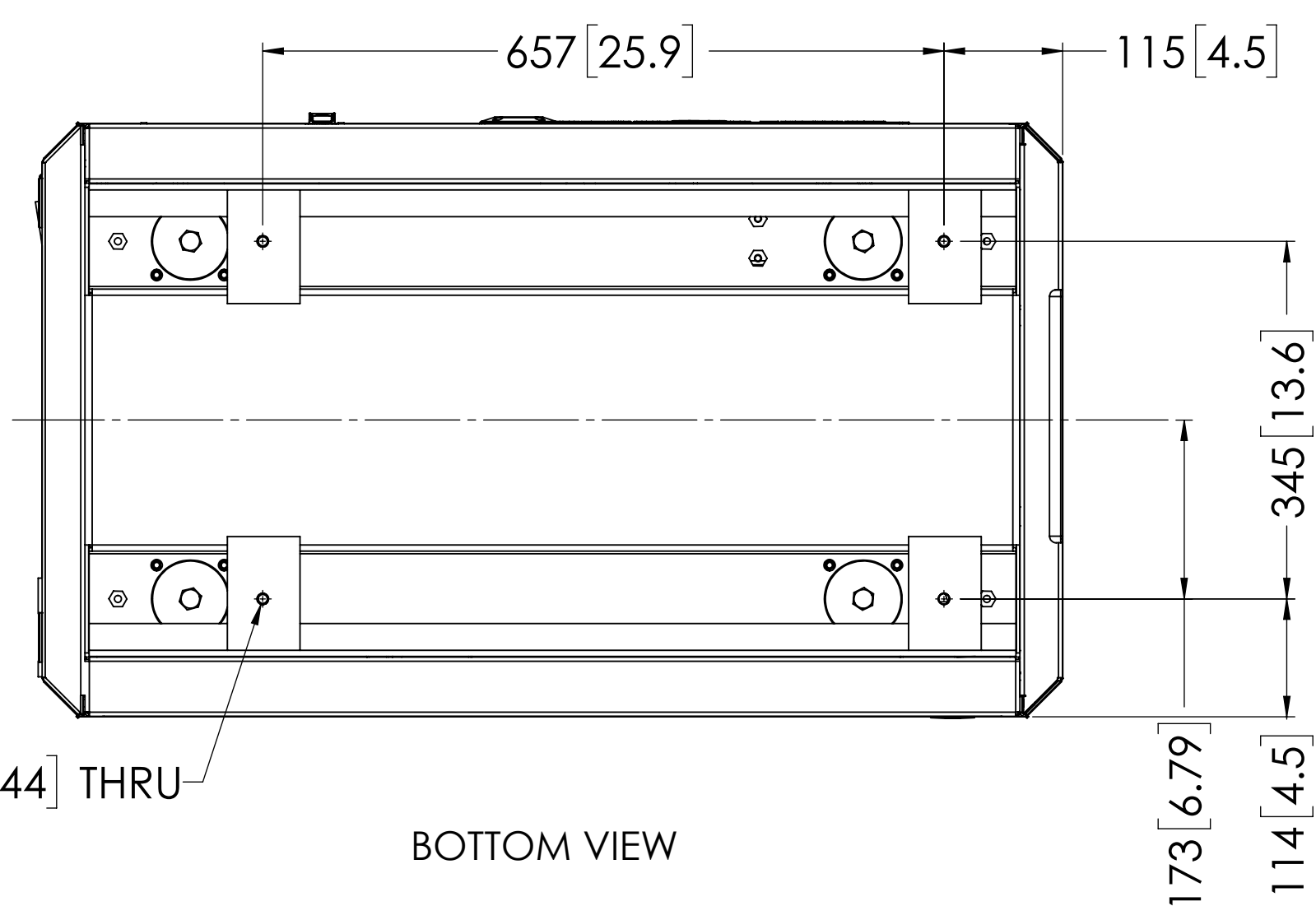
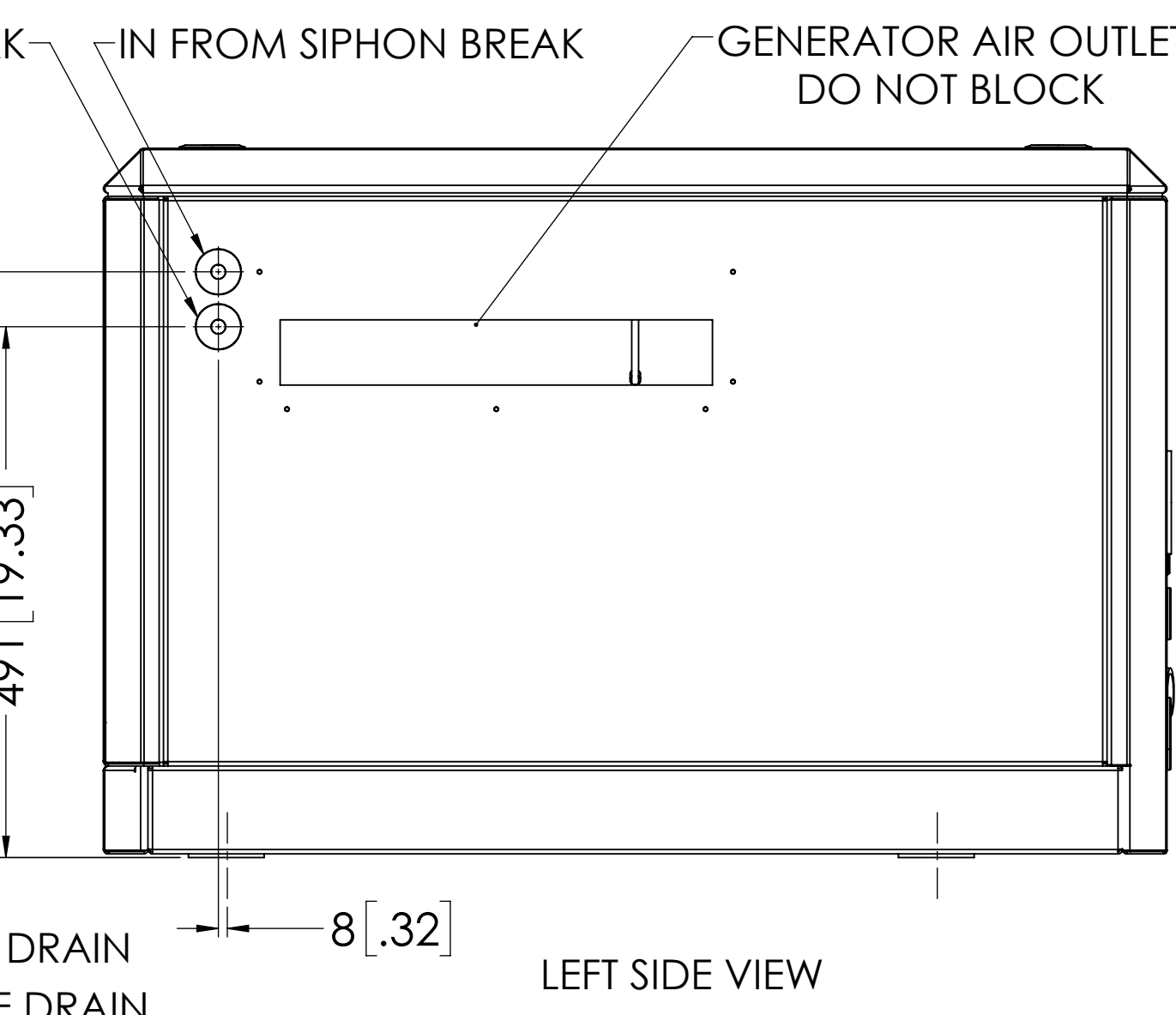
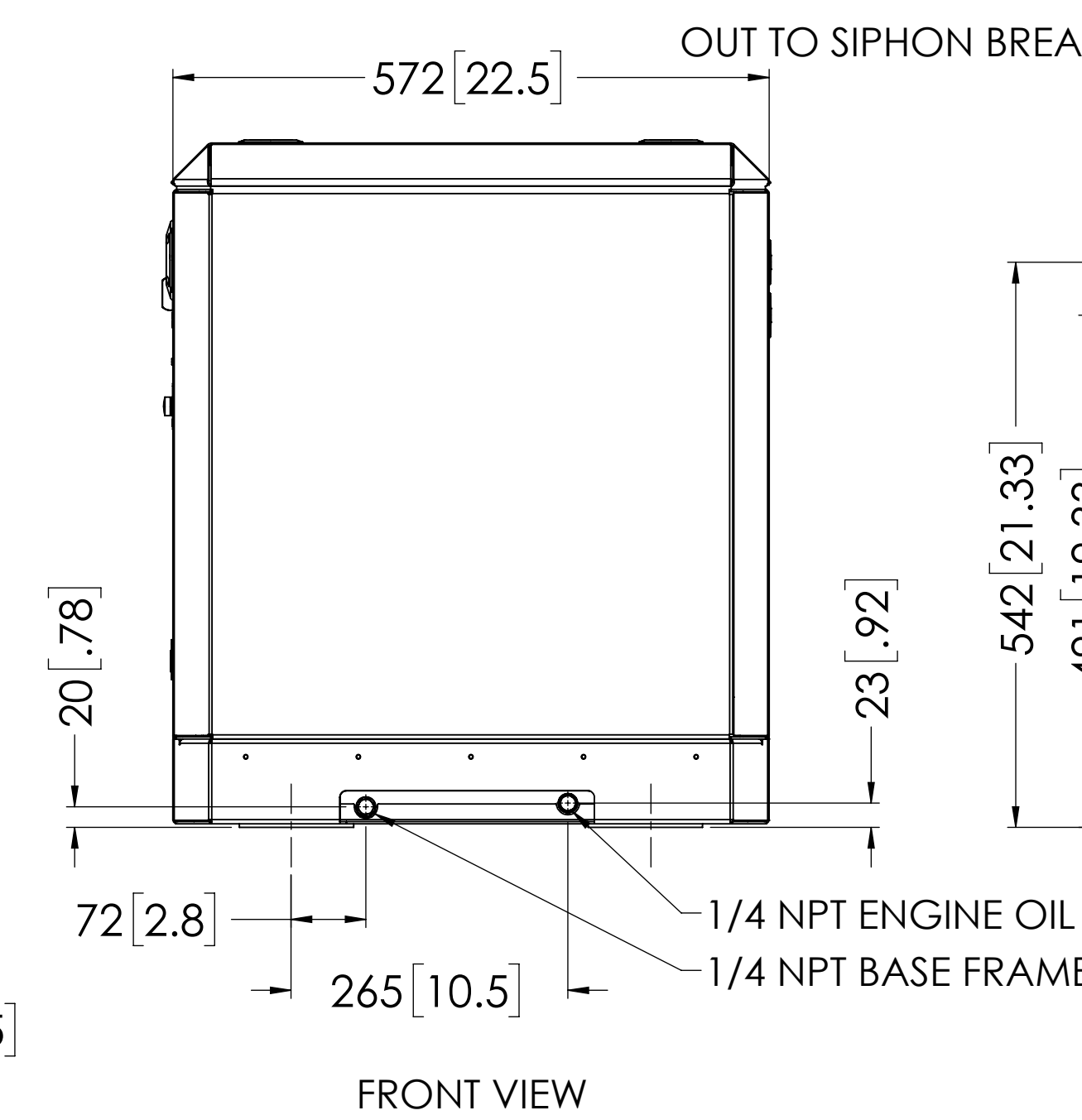
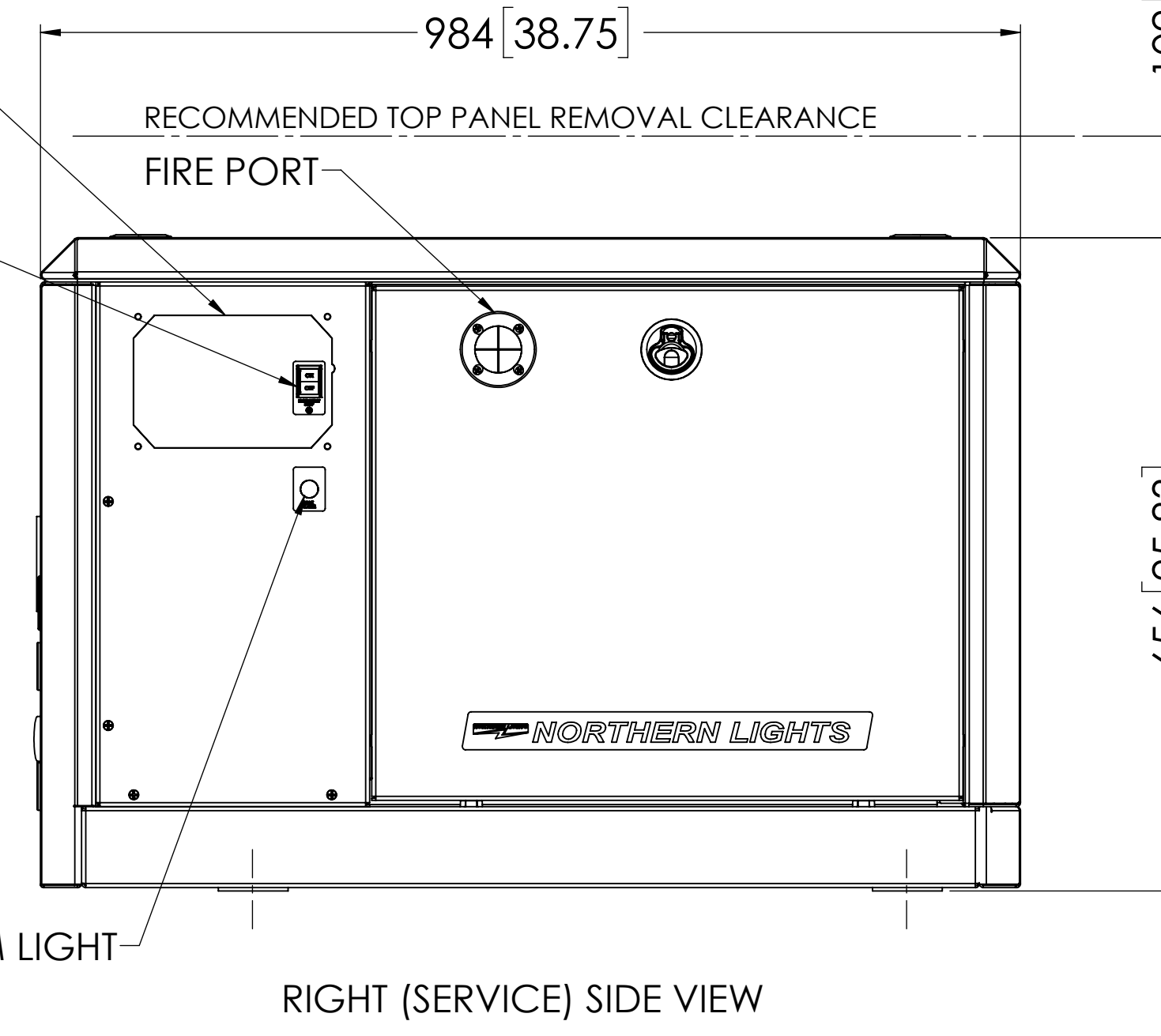
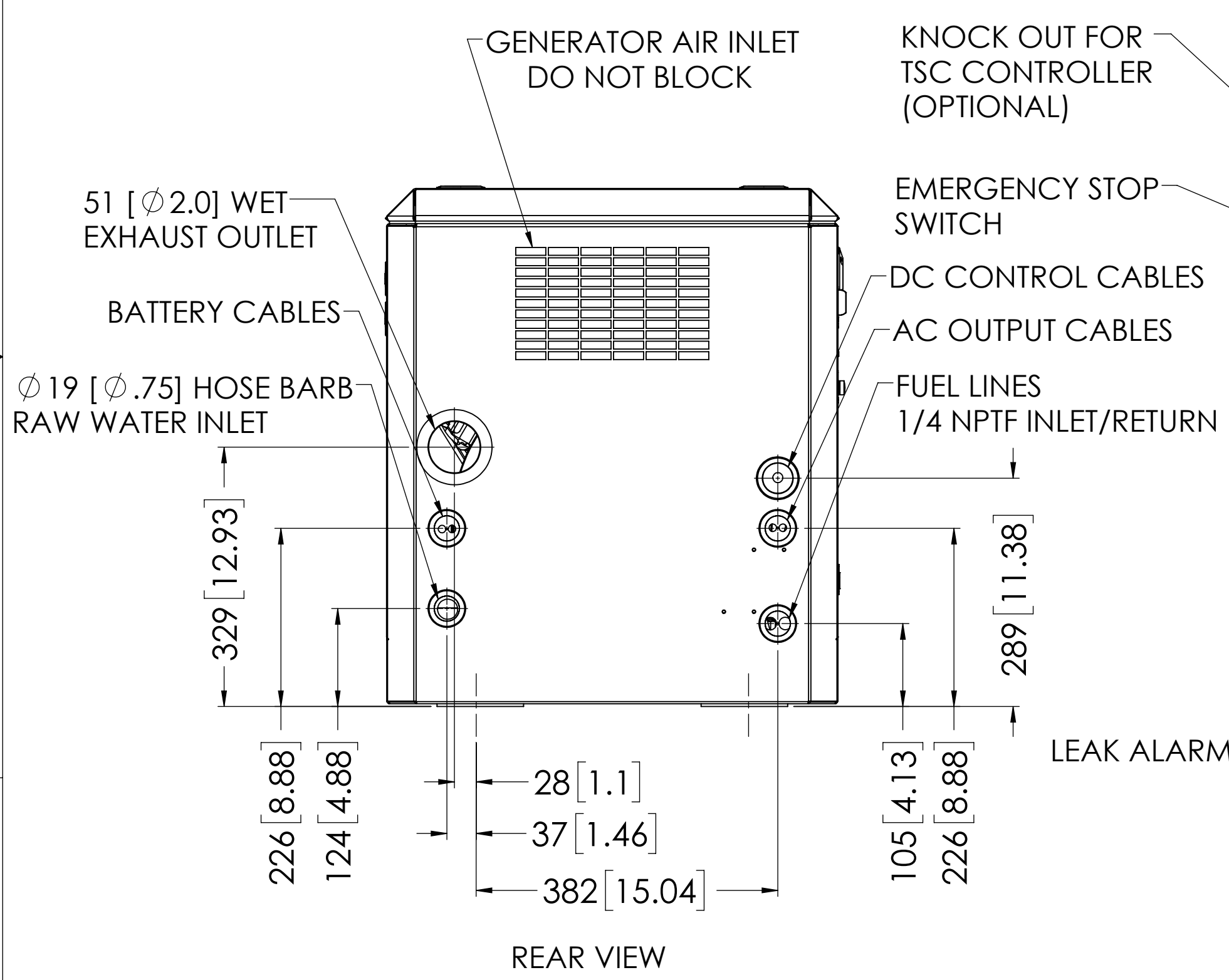
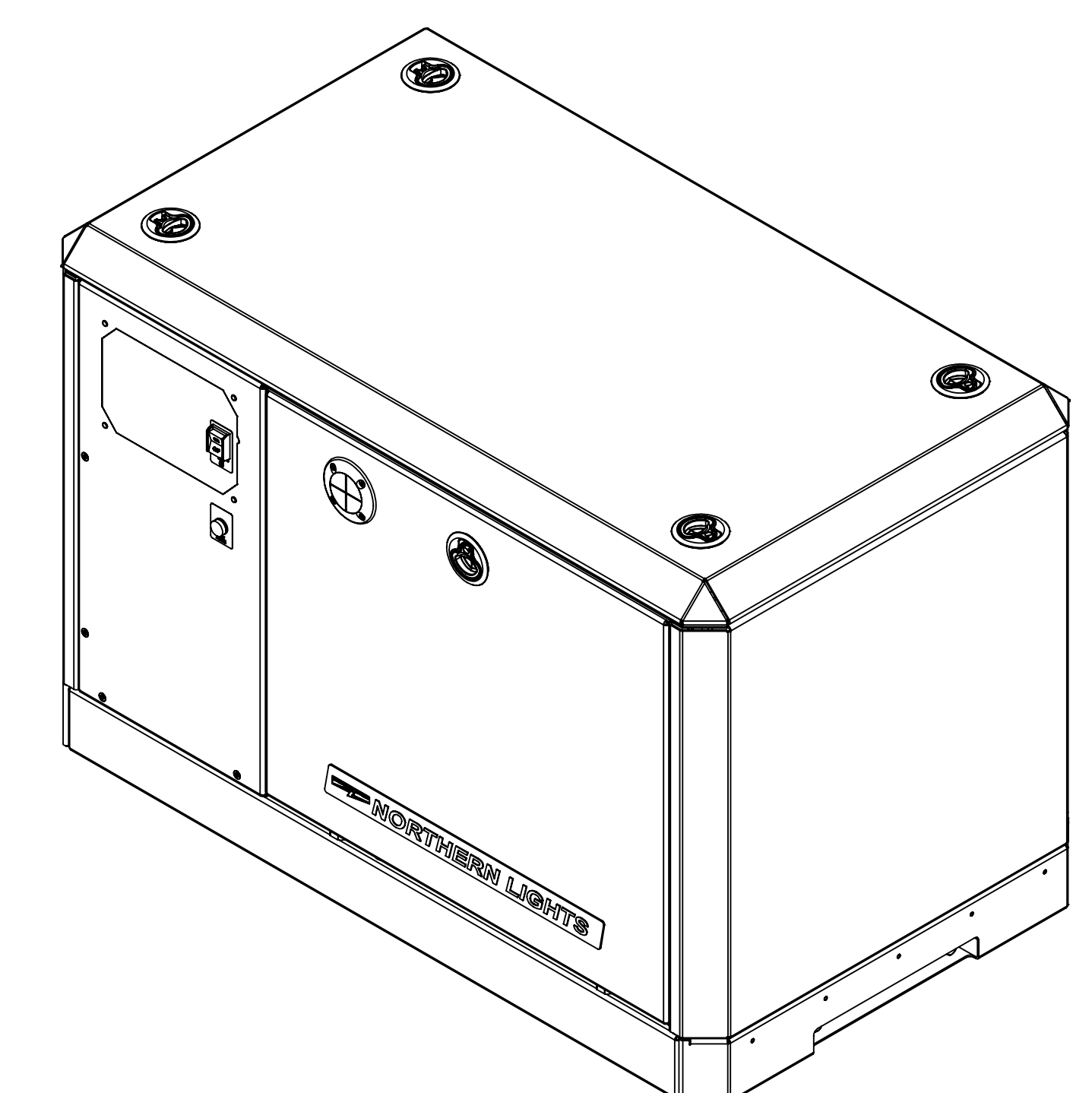
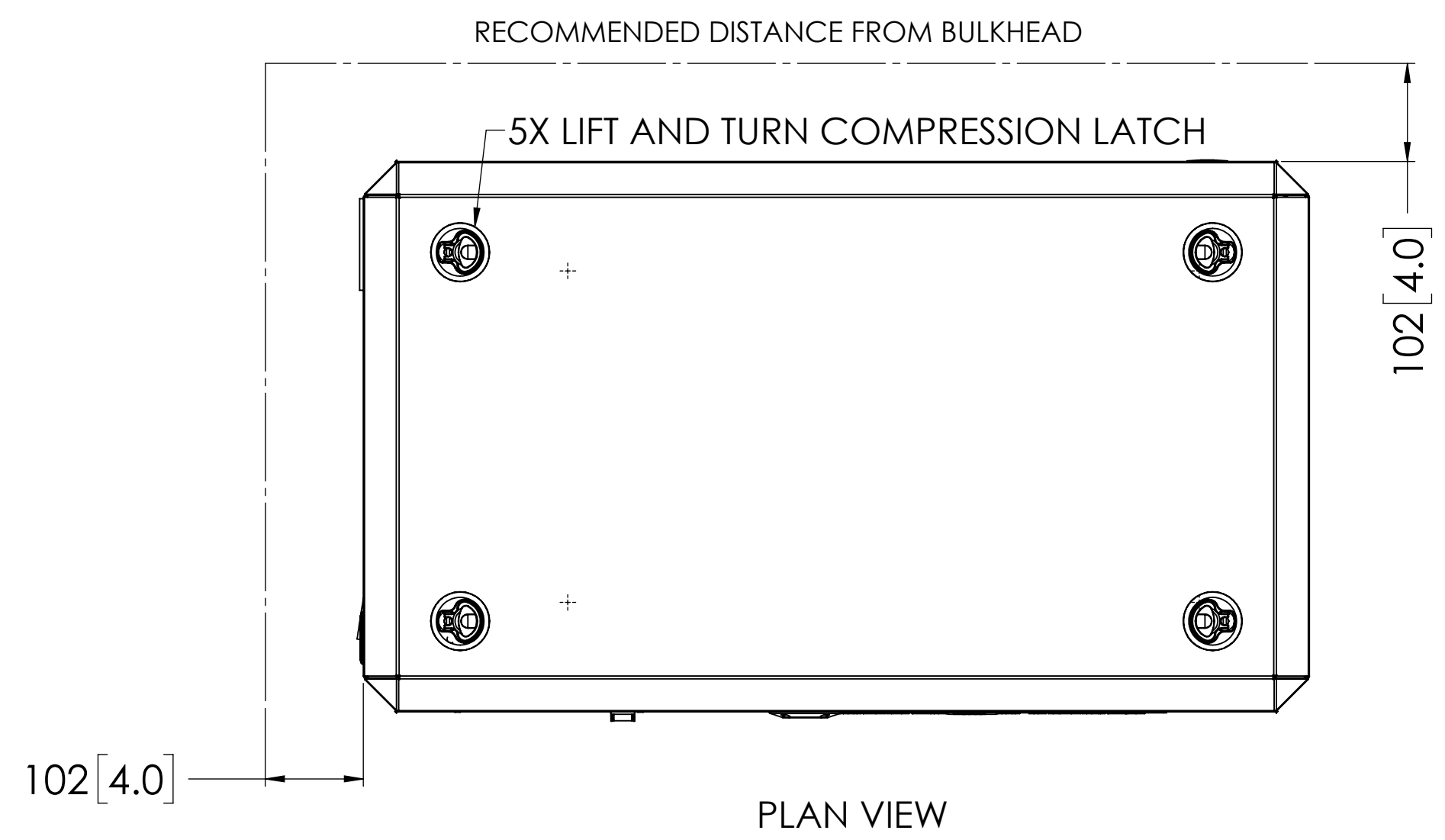
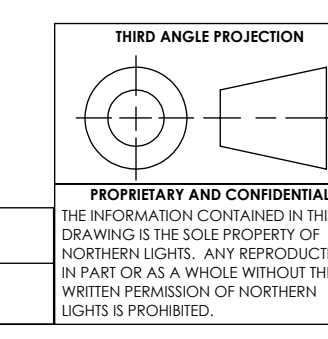


GENERATOR APPLICATION TABLE	
M843NW3G.1	12KW 1800 RPM 3 PHASE 60 HZ.
M843NW3G.3	12KW 1800 RPM 1 PHASE 60 HZ.
M843NW3G.5	10KW 1500 RPM 3 PHASE 50 HZ.
M843NW3G.7	10KW 1500 RPM 1 PHASE 50 HZ.



THE DIMENSIONS ON THIS DRAWING ARE SUBJECT TO CHANGE. PLEASE CONTACT NORTHERN LIGHTS INC TO BE SURE YOU HAVE THE MOST CURRENT REVISION.

WEIGHT, SHIELD ONLY	WEIGHT W/ GENSET
24 kg [53 lbs.]	357.8 kg [789 lbs.]



NORTHERN LIGHTS
4420 14th AVE. N.W.
Seattle, WA 98107
(206) 789-3880
www.northern-lights.com

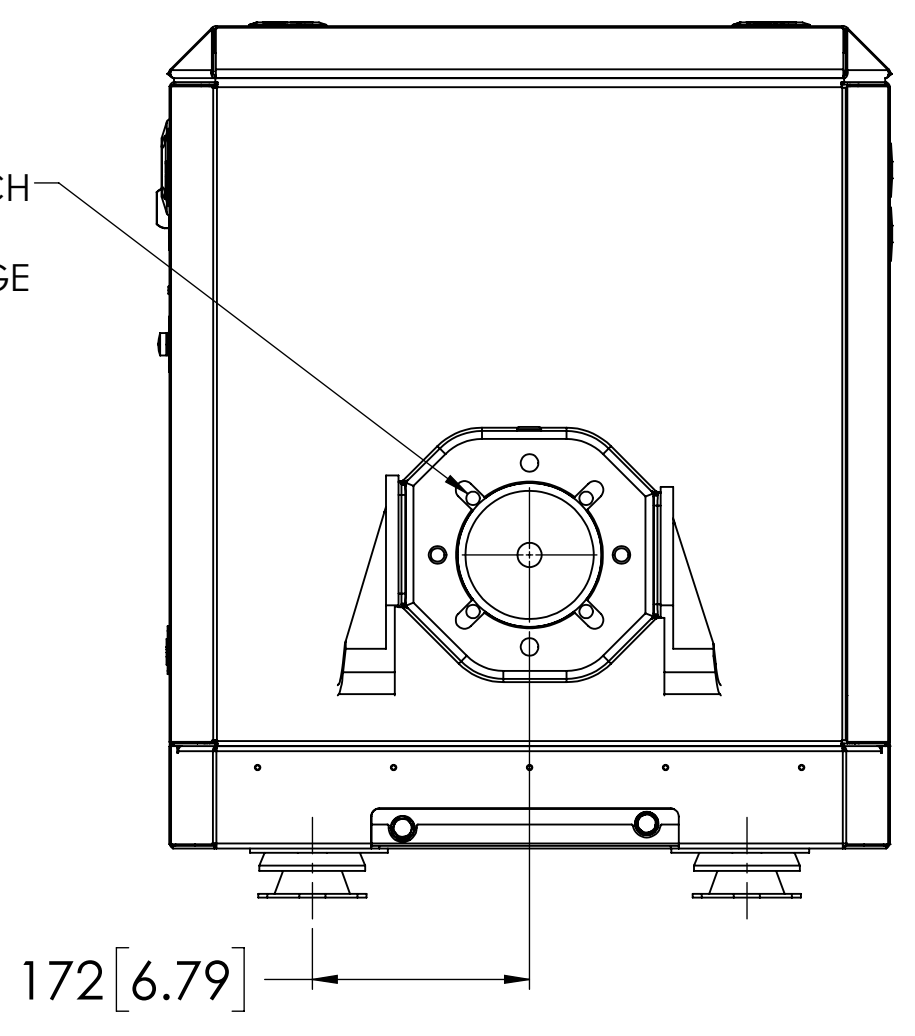
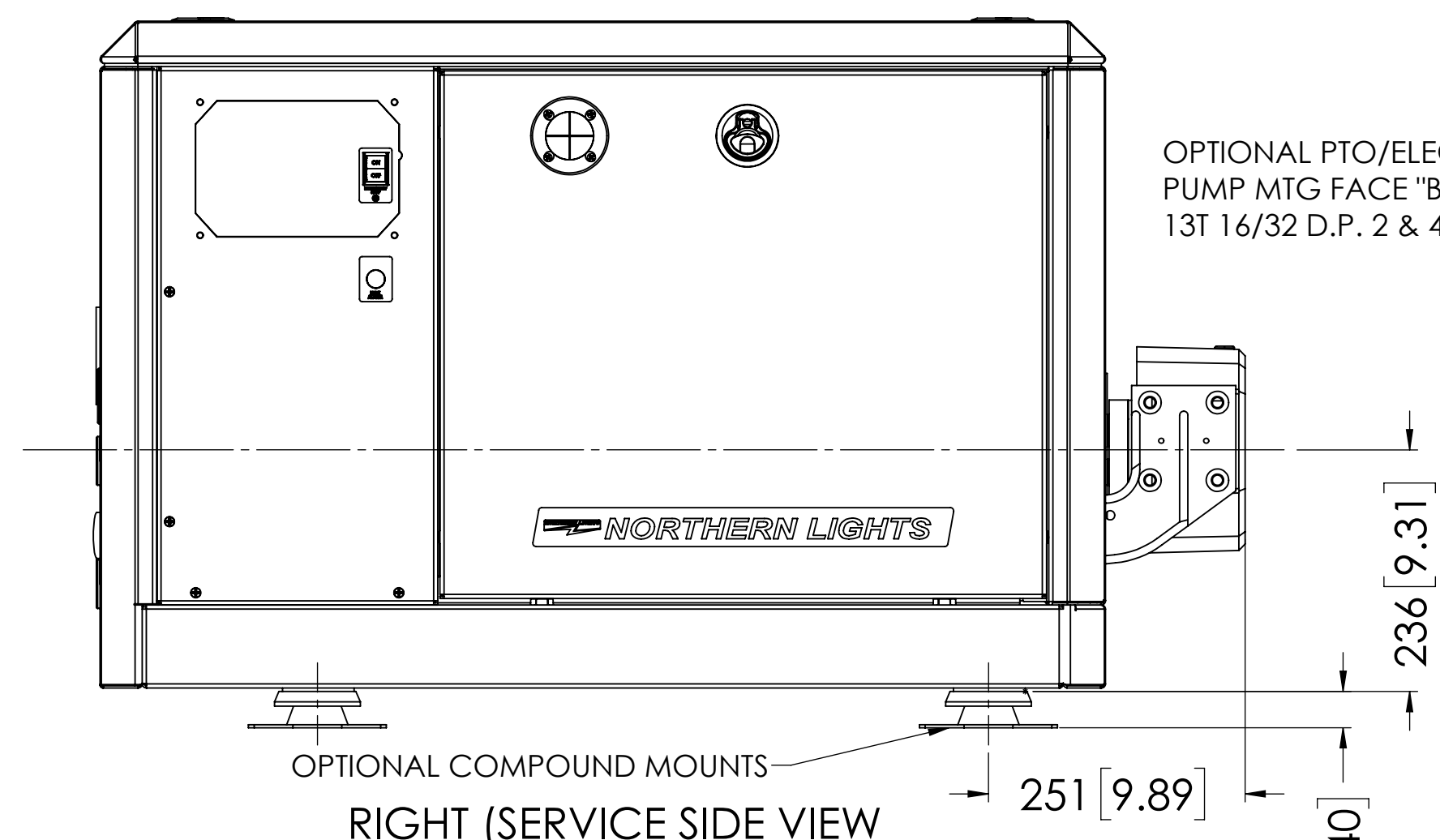
TITLE: INSTALLATION DIMENSIONS
M843NW3 GEM SOUND SHIELD

SIZE: PART NO. **D 06-73150** DWG. NO. **D-5514** REV **A**

SCALE: 1:6 WEIGHT: SHEET 1 OF 2

REV.	DESCRIPTION	DATE	BY	CHECKED
A	ECN#8523 CORRECTED PTO SHOWN ON PAGE 2 OF 2.	2/3/2023	LTP	

UNLESS OTHERWISE SPECIFIED:
DIMENSIONS ARE IN MILLIMETERS
TOLERANCES:
ANGULAR: MACH ± 0.5° BEND ± 1.0°
X ± 0.5
XX ± 0.3
FINISH: INTERPRET GEOMETRIC TOLERANCING PER ASME Y14.5M
MATERIAL: SEE GENERATOR APPLICATION TABLE
REPLACES: P/N 06-73100
D-5114
DO NOT SCALE



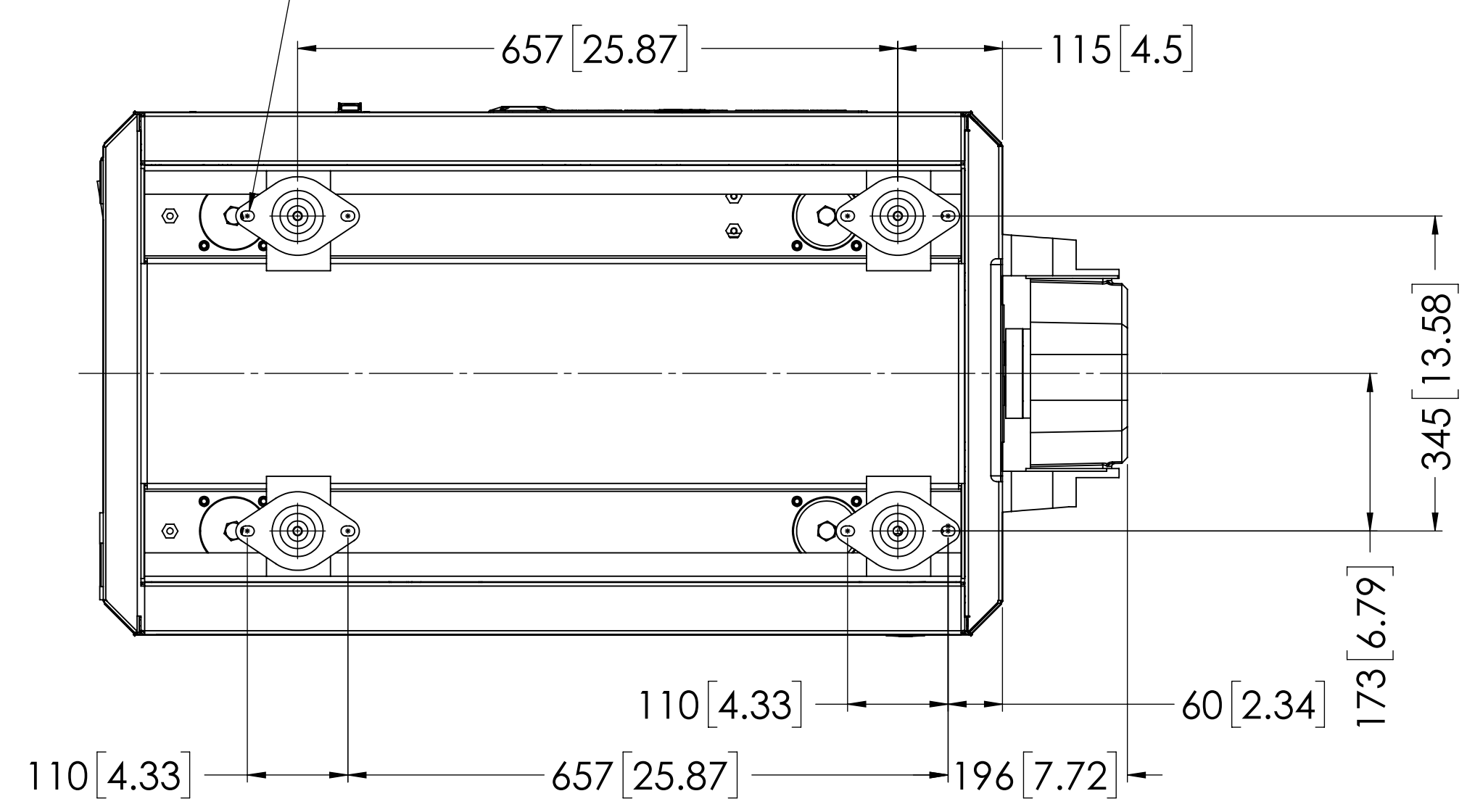
OPTIONAL PTO/ELECTRIC CLUTCH
PUMP MTG FACE "B" SPLINE
13T 16/32 D.P. 2 & 4 BOLT FLANGE

OPTIONAL COMPOUND MOUNTS
RIGHT (SERVICE SIDE VIEW)

172 [6.79]
FRONT VIEW

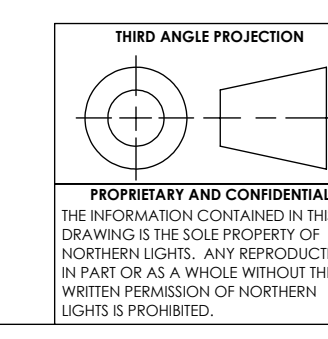
PTO OPTION:
12V 34-63120
24V 34-63125
COMPOUND MOUNT OPTION:
33-82010

Ø 11 [Ø .43] x 15 [.59] SLOTTED HOLE
2 SLOTS, 4 PLACES.



BOTTOM VIEW

THE DIMENSIONS ON THIS DRAWING ARE SUBJECT TO CHANGE. PLEASE CONTACT NORTHERN LIGHTS INC TO BE SURE YOU HAVE THE MOST CURRENT REVISION.



UNLESS OTHERWISE SPECIFIED:		NAME	DATE
DIMENSIONS ARE IN MILLIMETERS		LTP	1/24/2023
TOLERANCES:		CHECKED	-
ANGULAR:	MACH ± 0.5°	ENG APPR.	-
X	± 0.5	MFG APPR.	-
.XX	± 0.3	Q.A.	-
INTERPRET GEOMETRIC TOLERANCING PER: ASME Y14.5M		COMMENTS:	
MATERIAL:			
FINISH:			
DO NOT SCALE			

		4420 14th AVE. N.W. Seattle, WA 98107 (206) 789-3880 www.northern-lights.com	
		TITLE: OPTIONAL EQUIPMENT M843NW3 GEM SOUND SHIELD	
SIZE	PART NO.	DWG. NO.	REV
D	06-73150	D-5514	A
SCALE: 1:6	WEIGHT:	SHEET 2 OF 2	