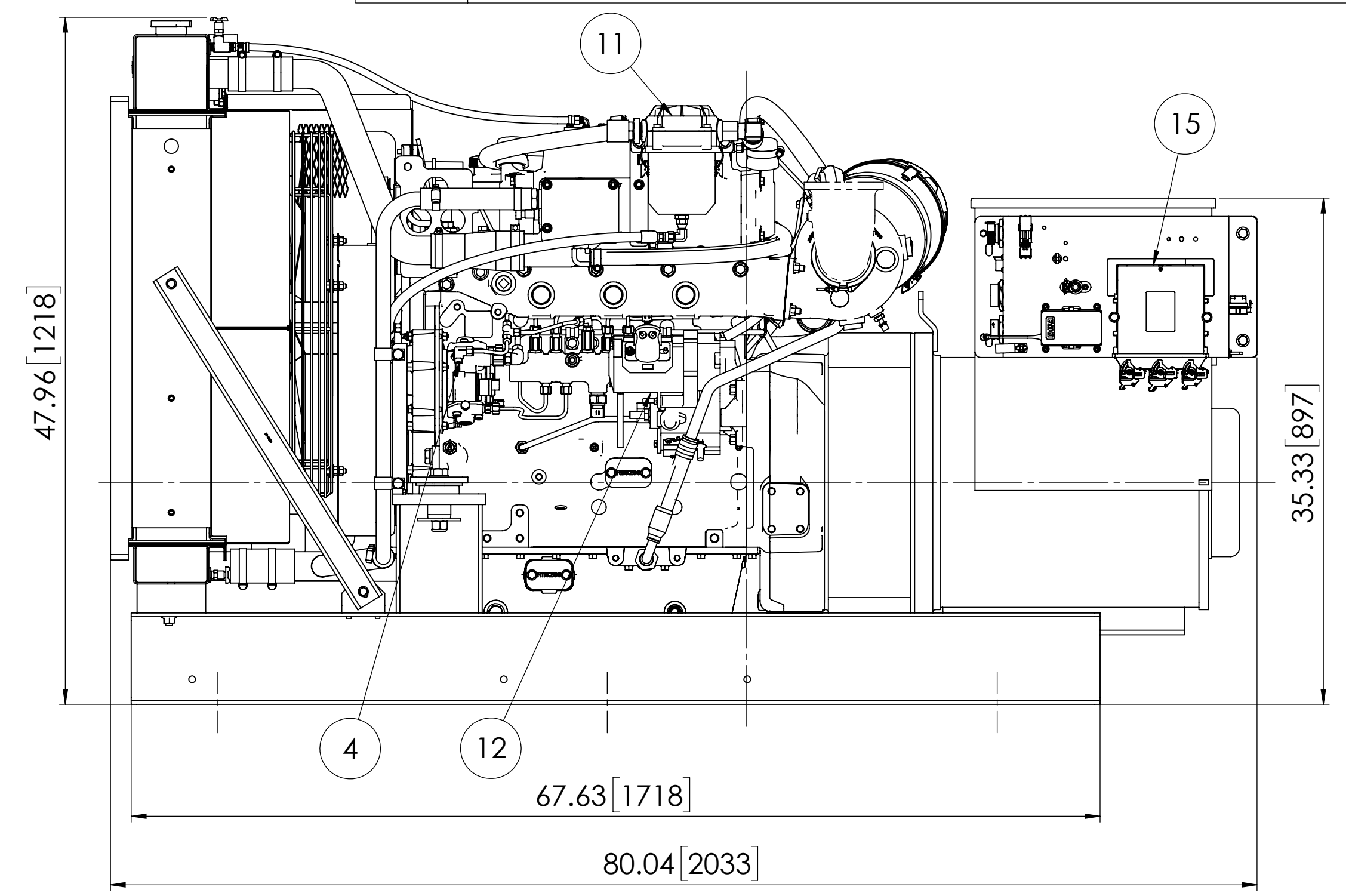
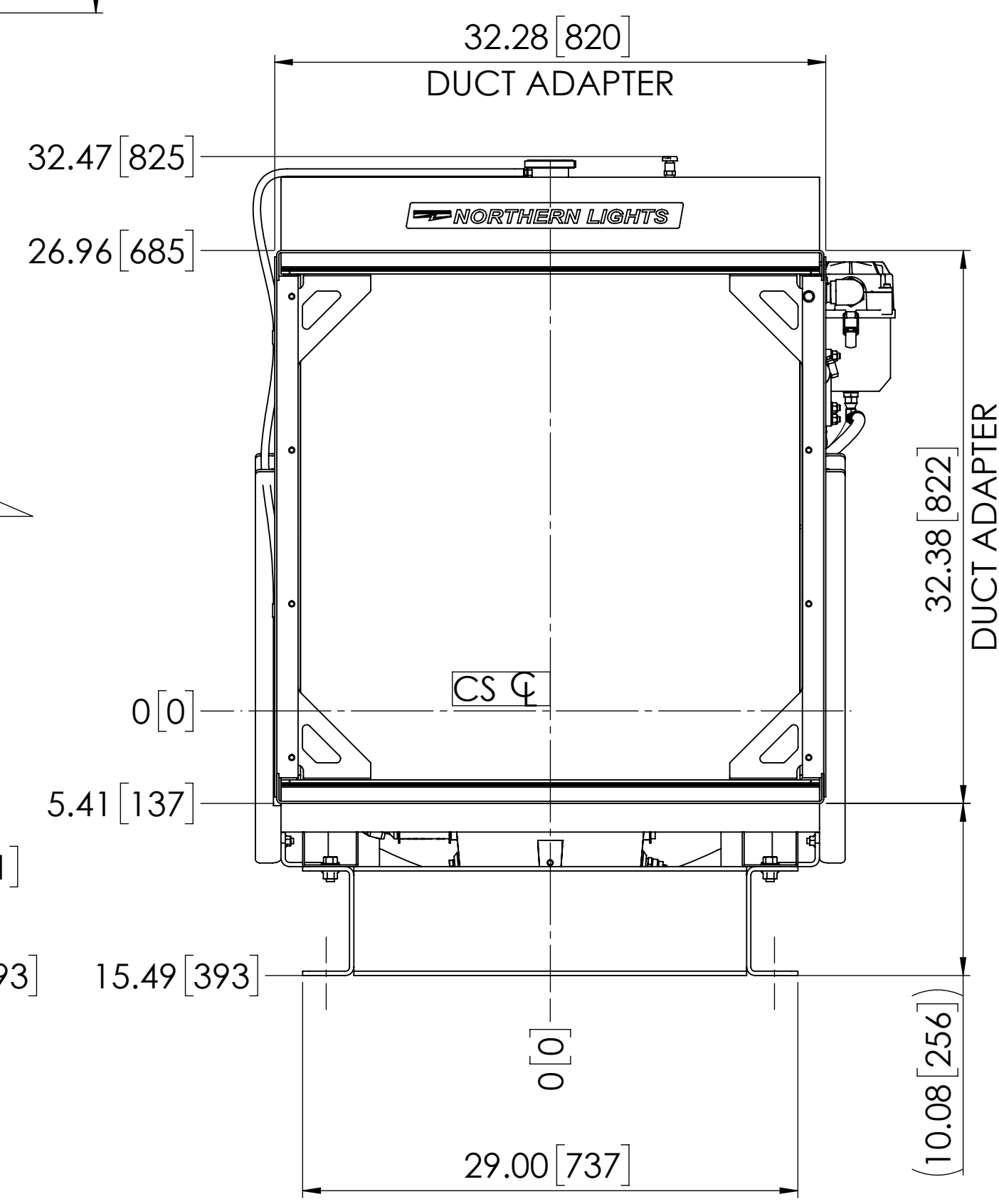
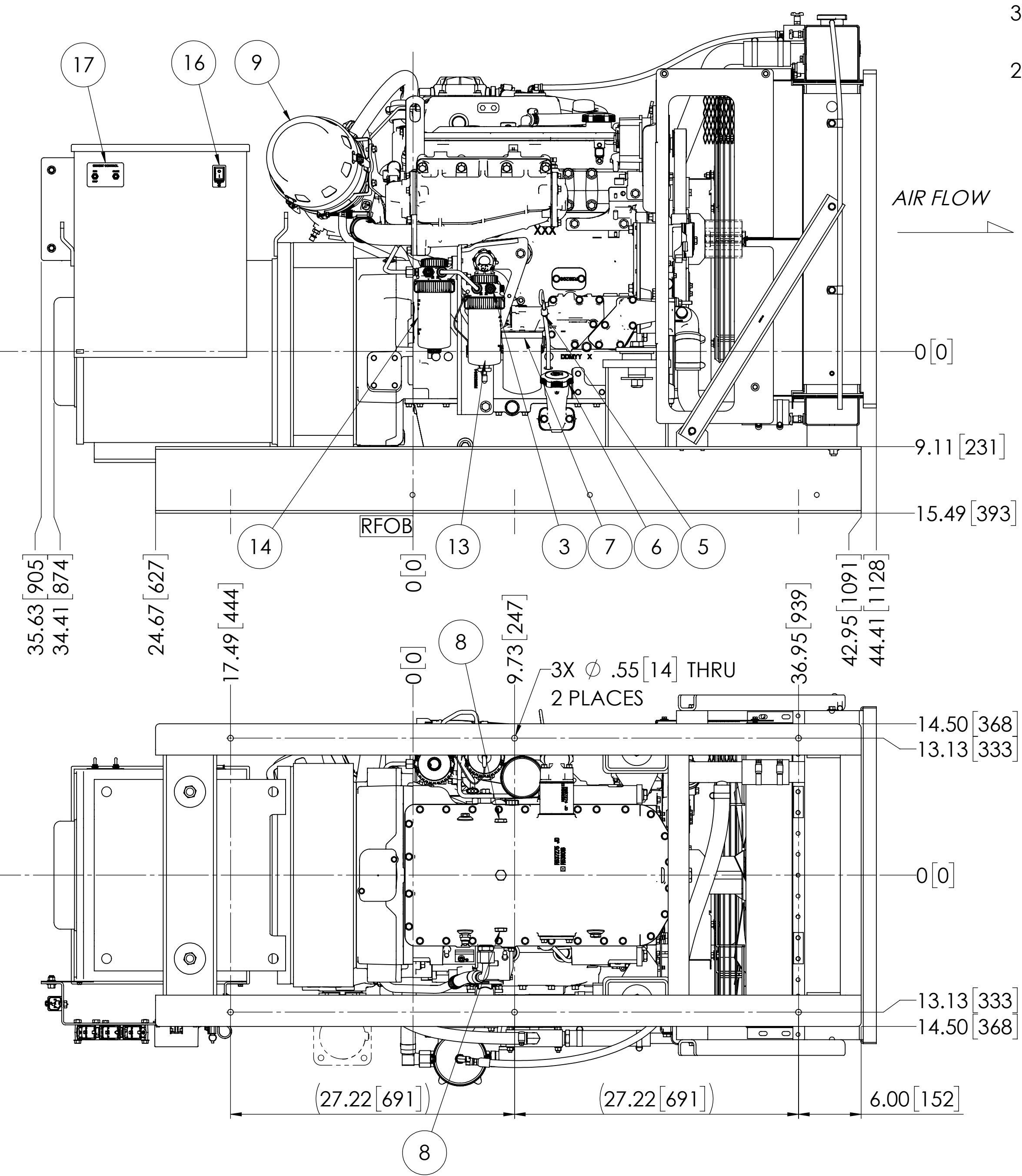


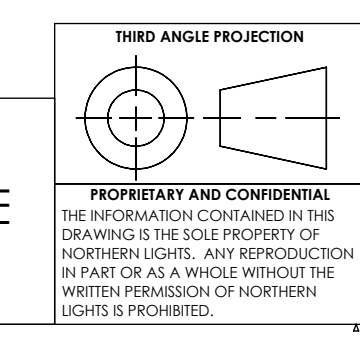
OPTIONAL DRY EXHAUST ELBOW DETAIL
SCALE 1:2

ITEM	DESCRIPTION
1	EXPANSION TANK / COOLED EXHAUST MANIFOLD
2	COOLANT FILL
3	FUEL INLET - \varnothing 3/8 HB
4	FUEL RETURN - 1/2 - 24 UNS 2B
5	CRANKCASE OIL DIPSTICK
6	CRANKCASE OIL FILLER
7	CRANKCASE OIL FILTER
8	OIL PAN DRAIN PLUG - M18 x 1.5 (ISO 6149 PORT)
9	AIR INLET FILTER
10	OPTIONAL DRY EXHAUST ELBOW - SEE DETAIL
11	CLOSED CRANKCASE VENTILATION SYSTEM
12	ELECTRIC STARTER
13	PRIMARY FUEL FILTER
14	FINAL FUEL FILTER
15	ENGINE CONTROL UNIT
16	EMERGENCY STOP SWITCH
17	GENSET CONTROL SWITCHES



ESTIMATED WEIGHT: 3120 LBS [1415 KG] (W/OIL, NO COOLANT)

THE DIMENSIONS ON THIS DRAWING ARE SUBJECT TO CHANGE. PLEASE CONTACT NLI TO BE SURE YOU HAVE THE MOST CURRENT REVISION.



REV.	DESCRIPTION	DATE	BY	CHECKED
A	GENERAL REVISION - DIFFERENT RADIATOR USED IN FINAL DESIGN. ECN 8295	9/15/2023	MG	

UNLESS OTHERWISE SPECIFIED:	NAME	DATE
DRAWN: MG	MG	09/14/16
CHECKED: TAH	TAH	09/29/16
ENG APPR:		
MFG APPR:		
G.A.:		
COMMENTS:		

		4420 14th AVE. N.W. Seattle, WA 98107 (206) 789-3880 www.northern-lights.com
TITLE: INSTALLATION DIMENSIONS M90C13R.25		
SIZE: D PART NO.	DWG. NO. D-4976	REV A
SCALE: 1:8	WEIGHT: LBS.	SHEET 1 OF 1