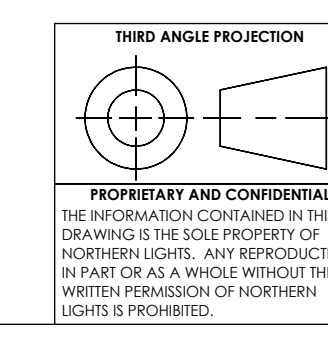
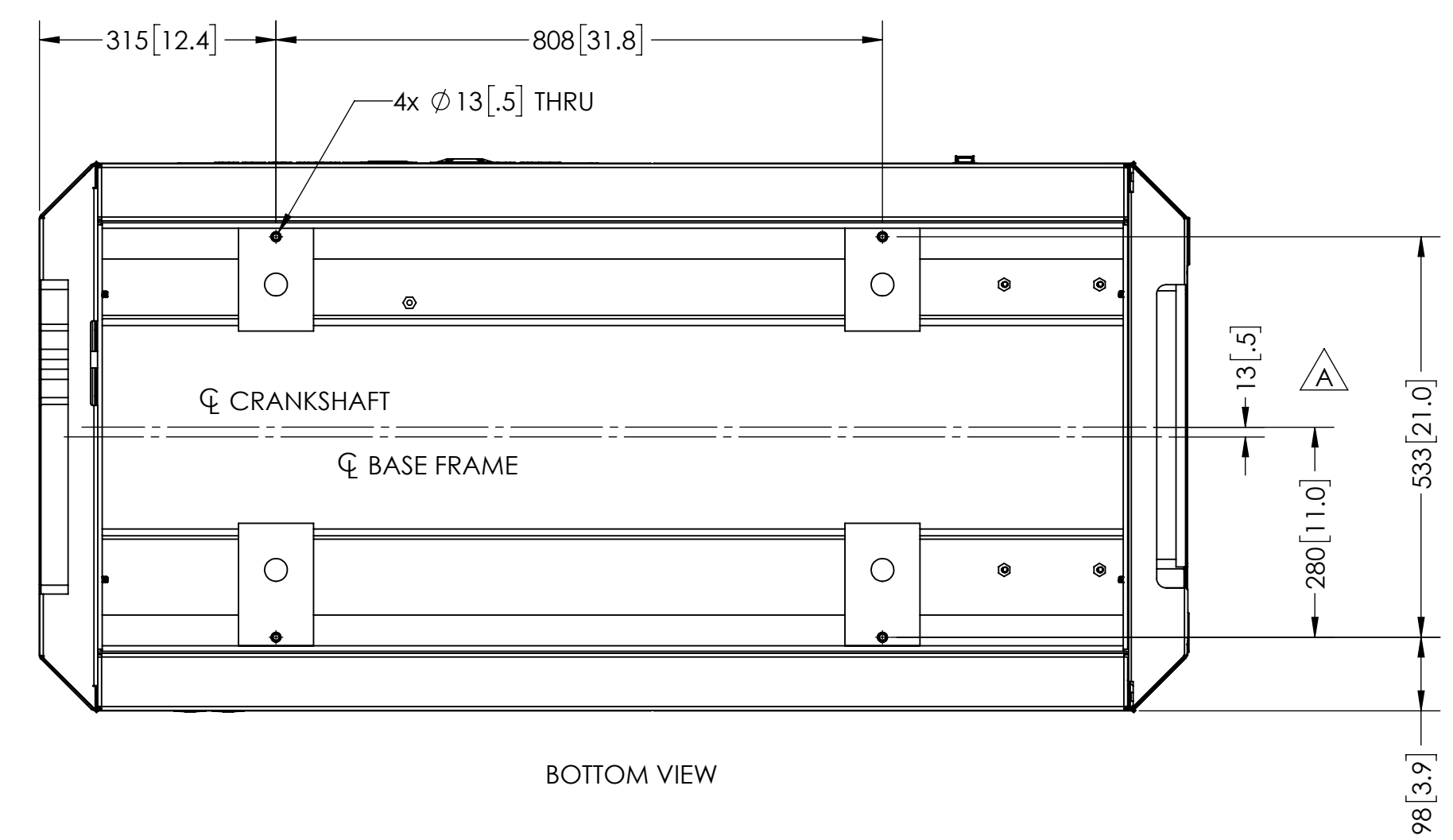
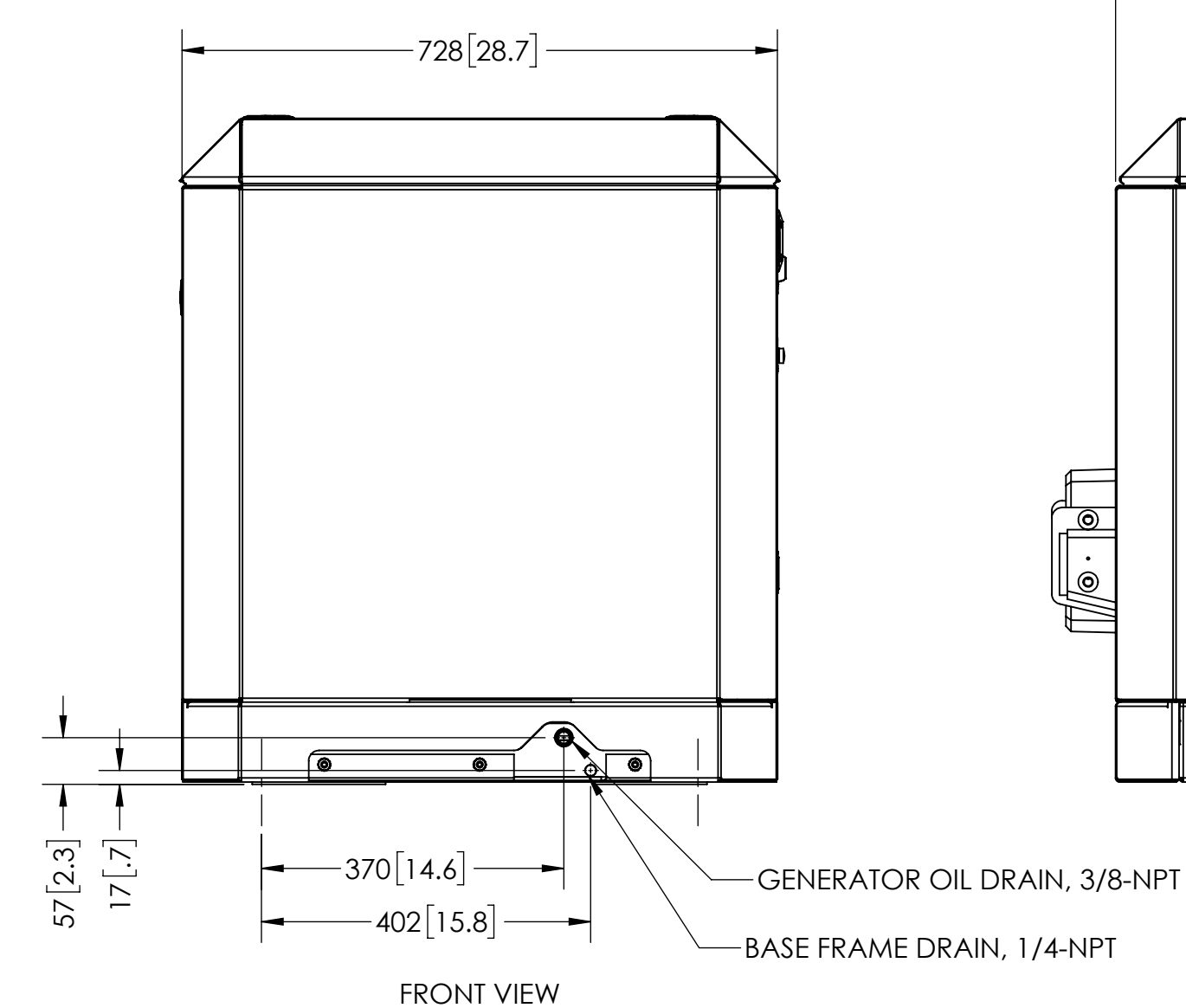
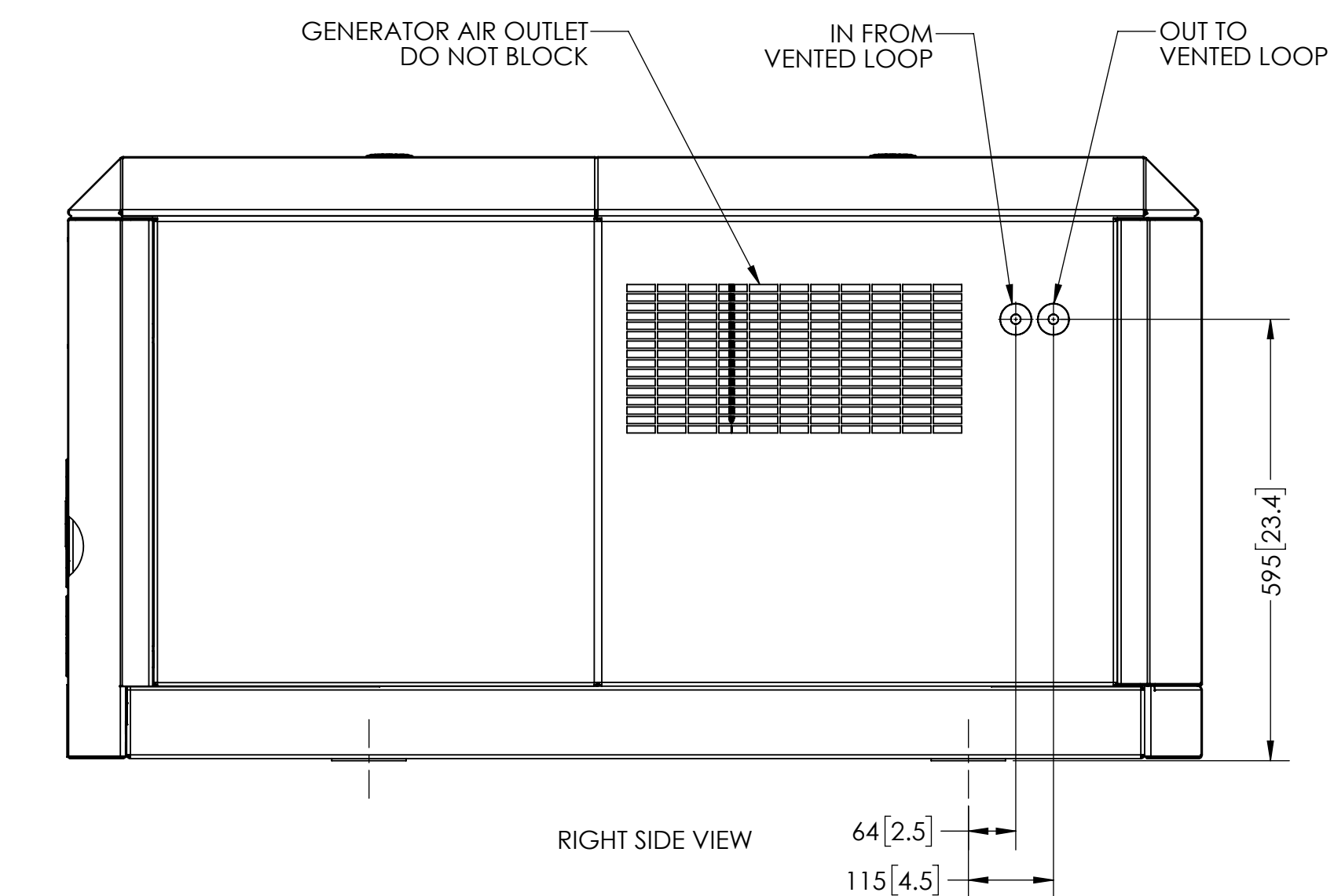
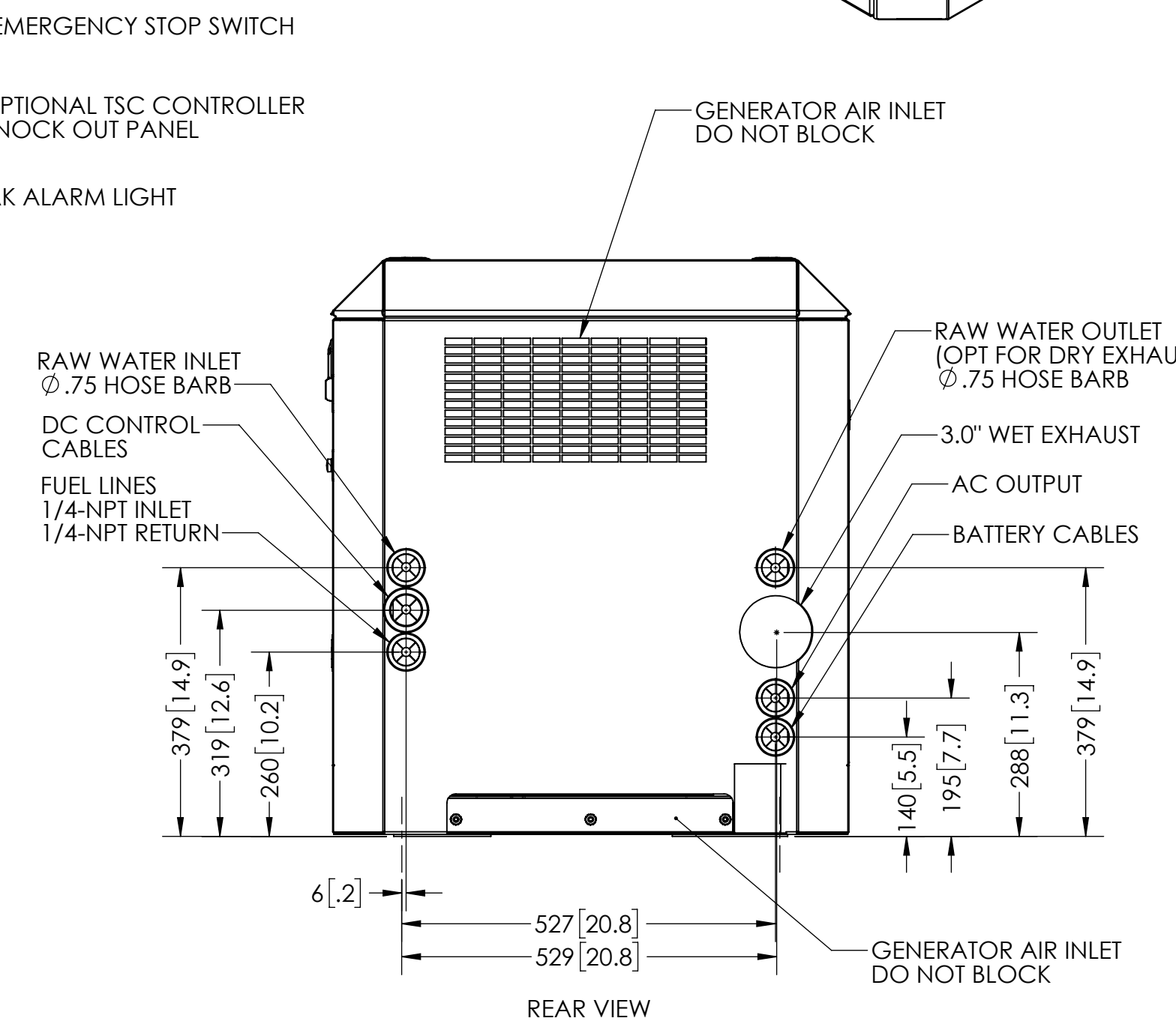
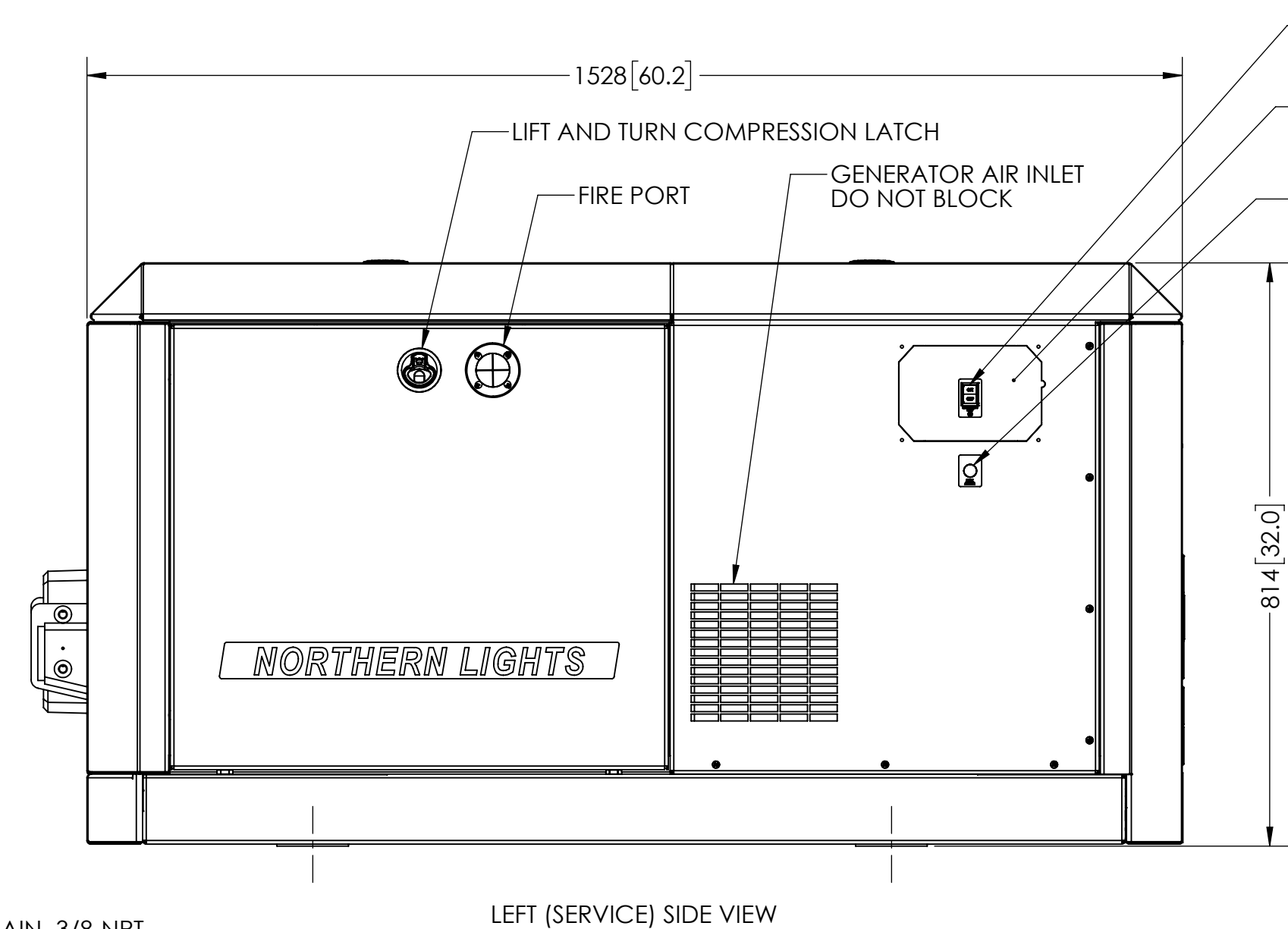
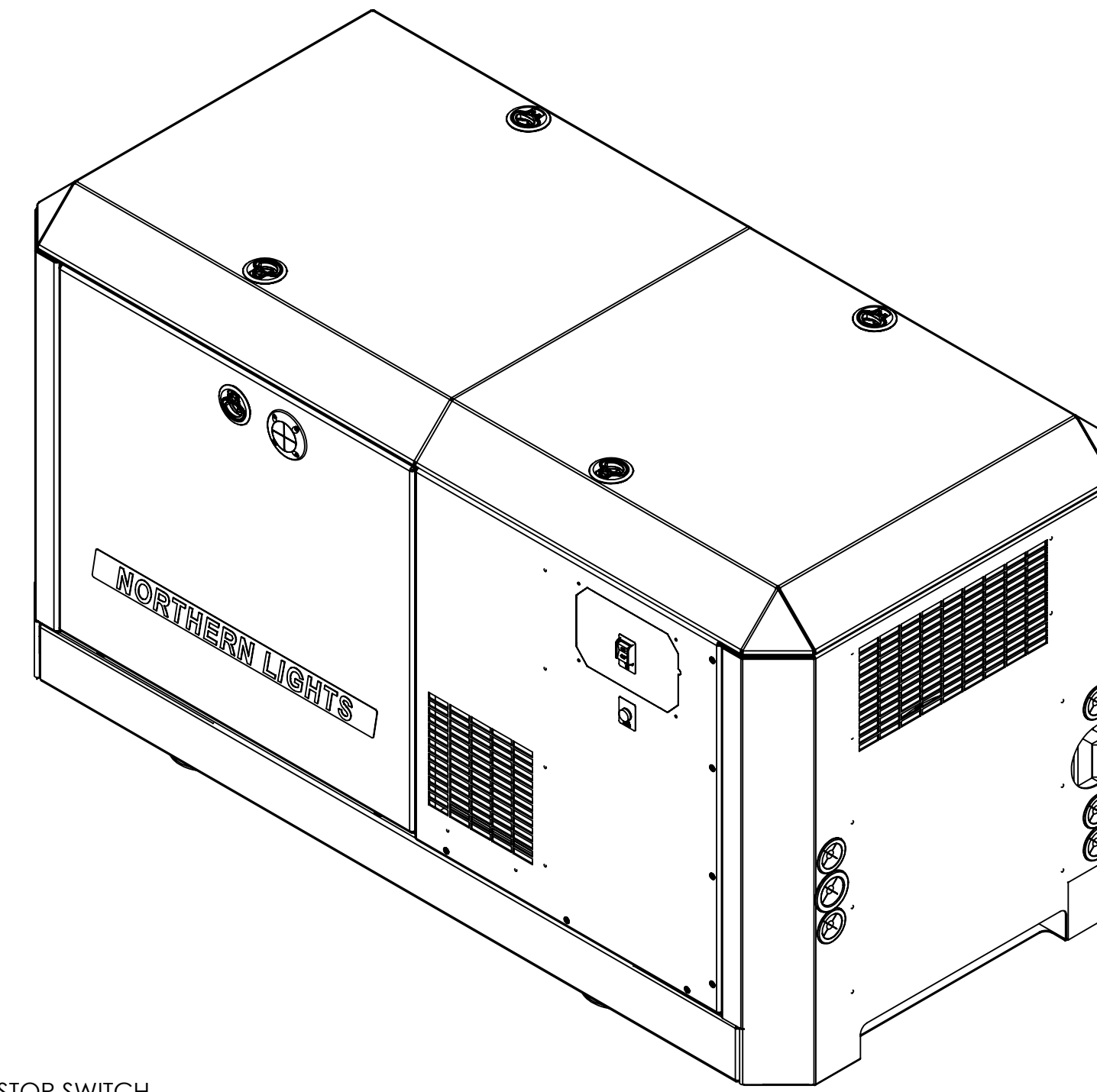
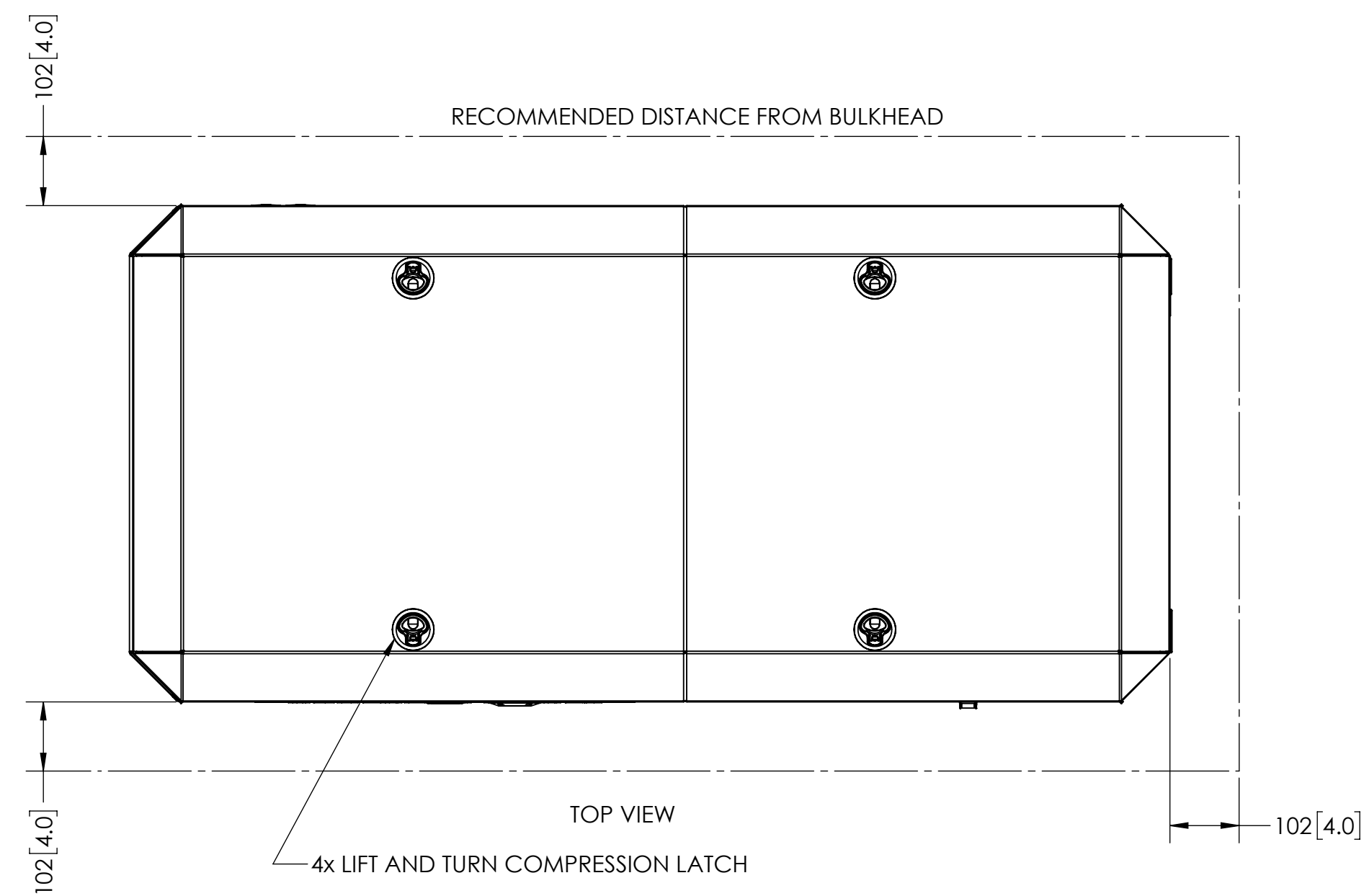


WEIGHT W/O GENSET	WEIGHT W/ GENSET
44 kg [98 lbs]	674 kg [1486 lbs]
APPLIES TO MODELS	
M944TG.1	
M944TG.5	
M944TG.7	

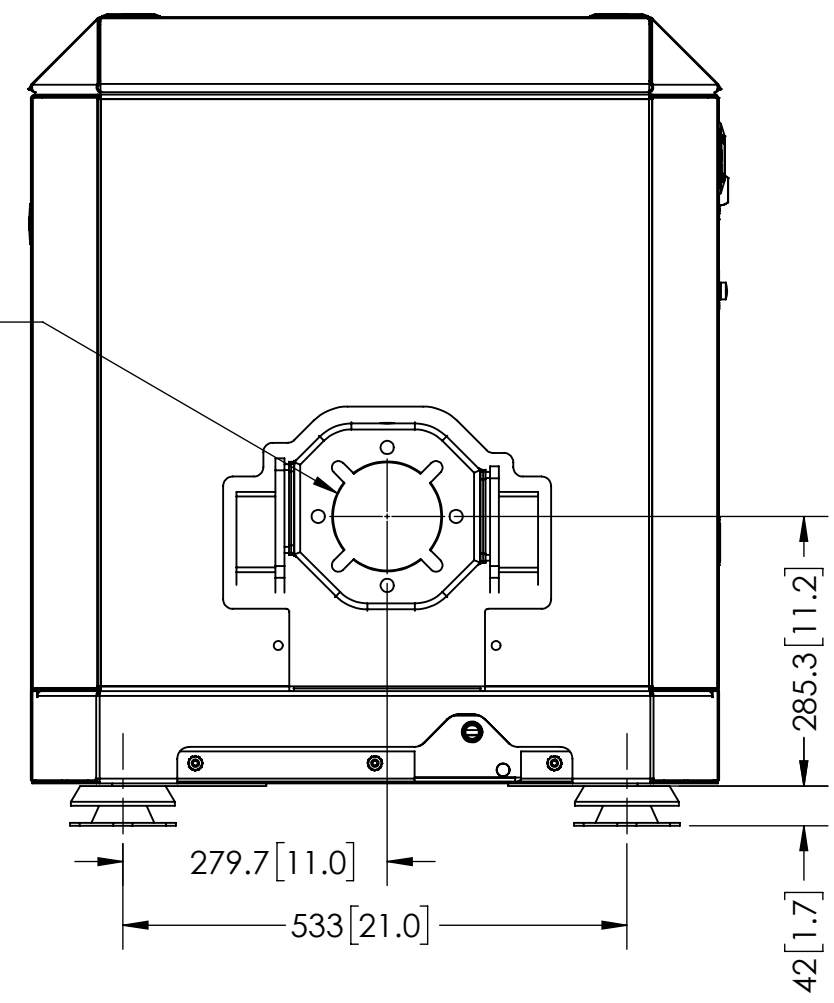


UNLESS OTHERWISE SPECIFIED:		NAME	DATE
DIMENSIONS ARE IN INCHES		DRAWN	10/16/19
TOLERANCES:		CHECKED	LTP
ANGULAR: 0.5°		ENG APPR.	
X.XX ± 0.1		MFG APPR.	
X.XXX ± 0.03		G.A.	
X.XXXX ± 0.005		COMMENTS:	
INTERPRET GEOMETRIC TOLERANCING PER: ASME Y14.5M			
MATERIAL:			
FINISH:			
DO NOT SCALE			

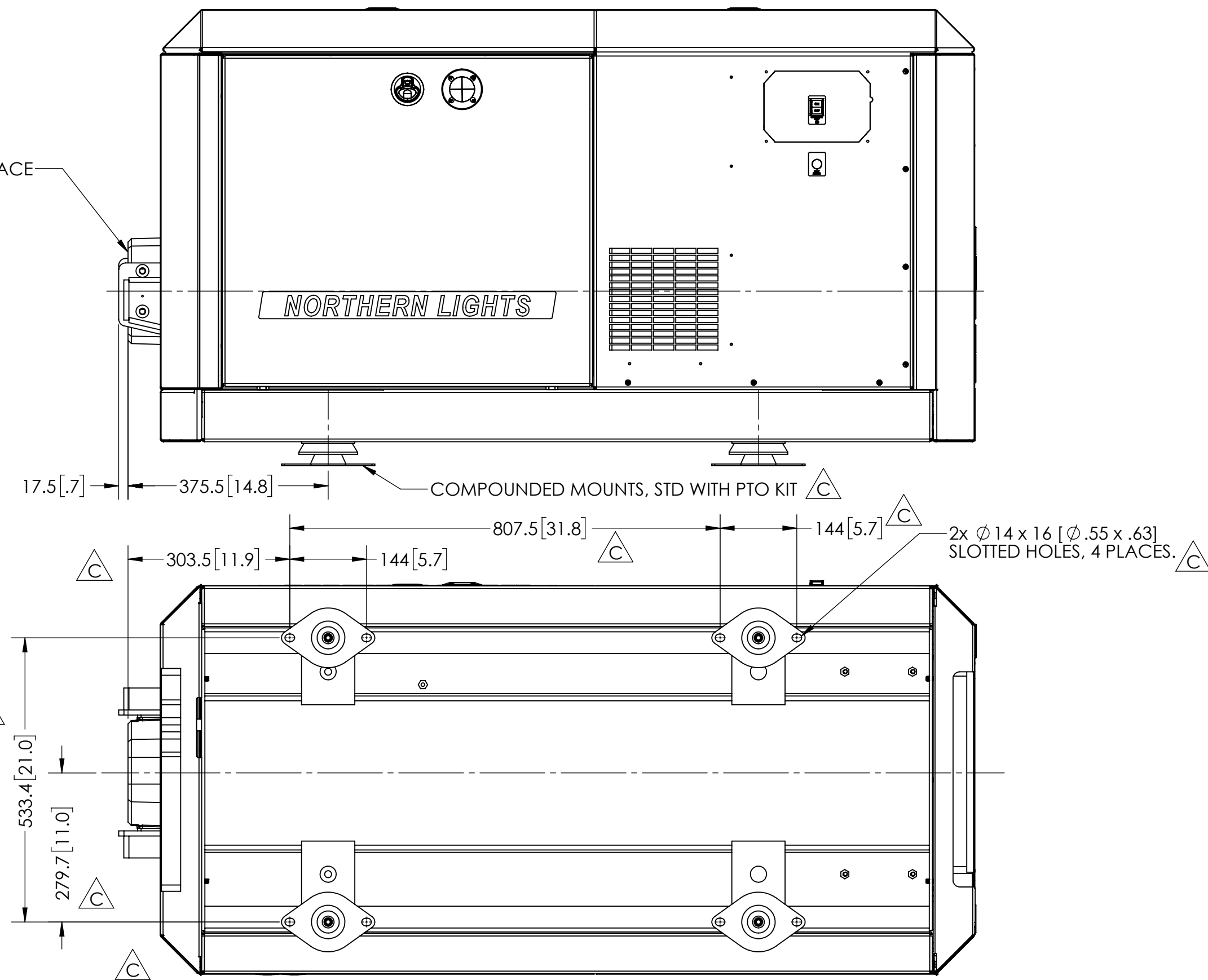
		4420 14th AVE. N.W. Seattle, WA 98107 (206) 789-3880 www.northern-lights.com	
		TITLE: <b>INSTALLATION DIMENSIONS M944T GEM SOUND SHIELD</b>	
SIZE	PART NO.	DWG. NO.	REV
<b>D</b>	<b>06-71300</b>	<b>D-5195</b>	<b>C</b>
SCALE: 1:8	WEIGHT: 44.4 kg [98 lbs]	SHEET 1 OF 2	

REV.	DESCRIPTION	DATE	BY	CHECKED
C	ECN#8803 ADDED MISSING COMPOUND MOUNTS TO PTO OPTION PAGE TWO OF TWO	8/31/2023	LTP	
B	ECN8784 ADDED PTO OPTION ON PAGE 2 OF 2	8/4/2023	LTP	
A	UPDATE BASE FRAME WITH 13MM OFFSET, ADD ISOMETRIC VIEW AND APPLICATION TABLE, ECN# 7853	3/7/2022	MK	LTP

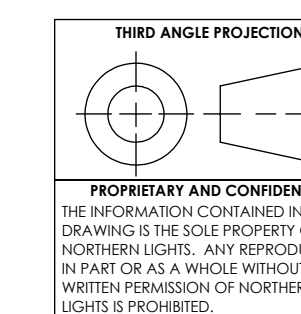
POWER TAKE OFF  
PUMP MTG FACE  
"B" SPLINE 13T 1 6/32 D.P.  
2 AND 4 BOLT FLANGE



MTG FACE



△ POWER TAKE OFF OPTION



PROPRIETARY AND CONFIDENTIAL  
THE INFORMATION CONTAINED IN THIS  
DRAWING IS THE SOLE PROPERTY OF  
NORTHERN LIGHTS. ANY REPRODUCTION  
IN PART OR AS A WHOLE WITHOUT THE  
WRITTEN PERMISSION OF NORTHERN  
LIGHTS IS PROHIBITED.

UNLESS OTHERWISE SPECIFIED:		NAME	DATE
DIMENSIONS ARE IN MILLIMETERS		LTP	8/4/2023
TOLERANCES:		CHECKED	-
ANGULAR: MACH ± 0.5° BEND ± 1.0°		ENG APPR.	
.X ± 0.5		MEG APPR.	
.XX ± 0.3		Q.A.	
INTERPRET GEOMETRIC TOLERANCING PER ASME Y14.5M		COMMENTS:	
MATERIAL:			
FINISH:			
DO NOT SCALE			

		4420 14th AVE. N.W. Seattle, WA 98107 (206) 789-3880 www.northern-lights.com	
		TITLE: INSTALLATION DIMENSIONS OPTIONS PAGE M944TG SOUND SHIELD	
SIZE	PART NO.	DWG. NO.	REV
D	06-71300	D-5195	C
SCALE: 1:8	WEIGHT:	SHEET 2 OF 2	