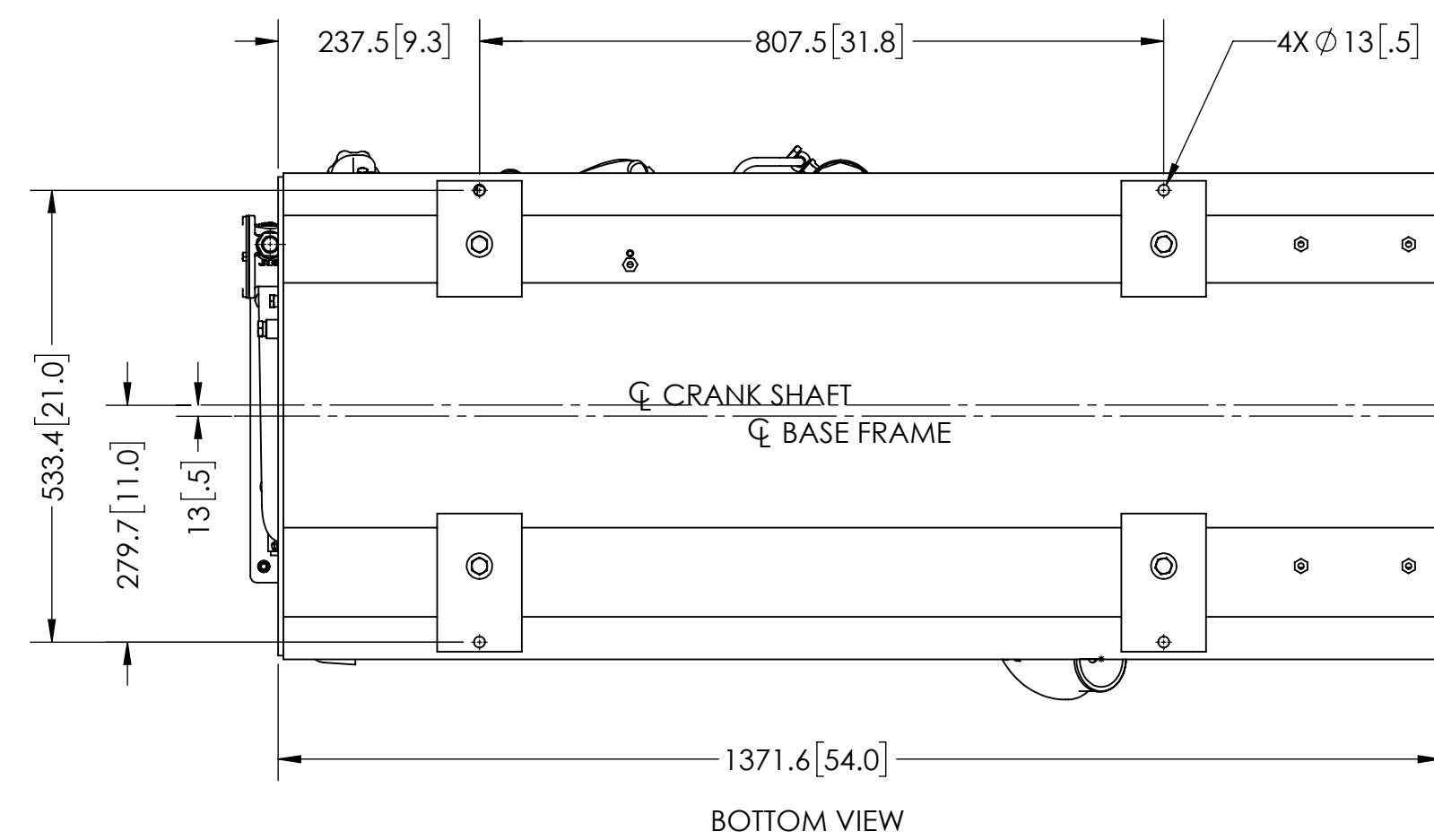
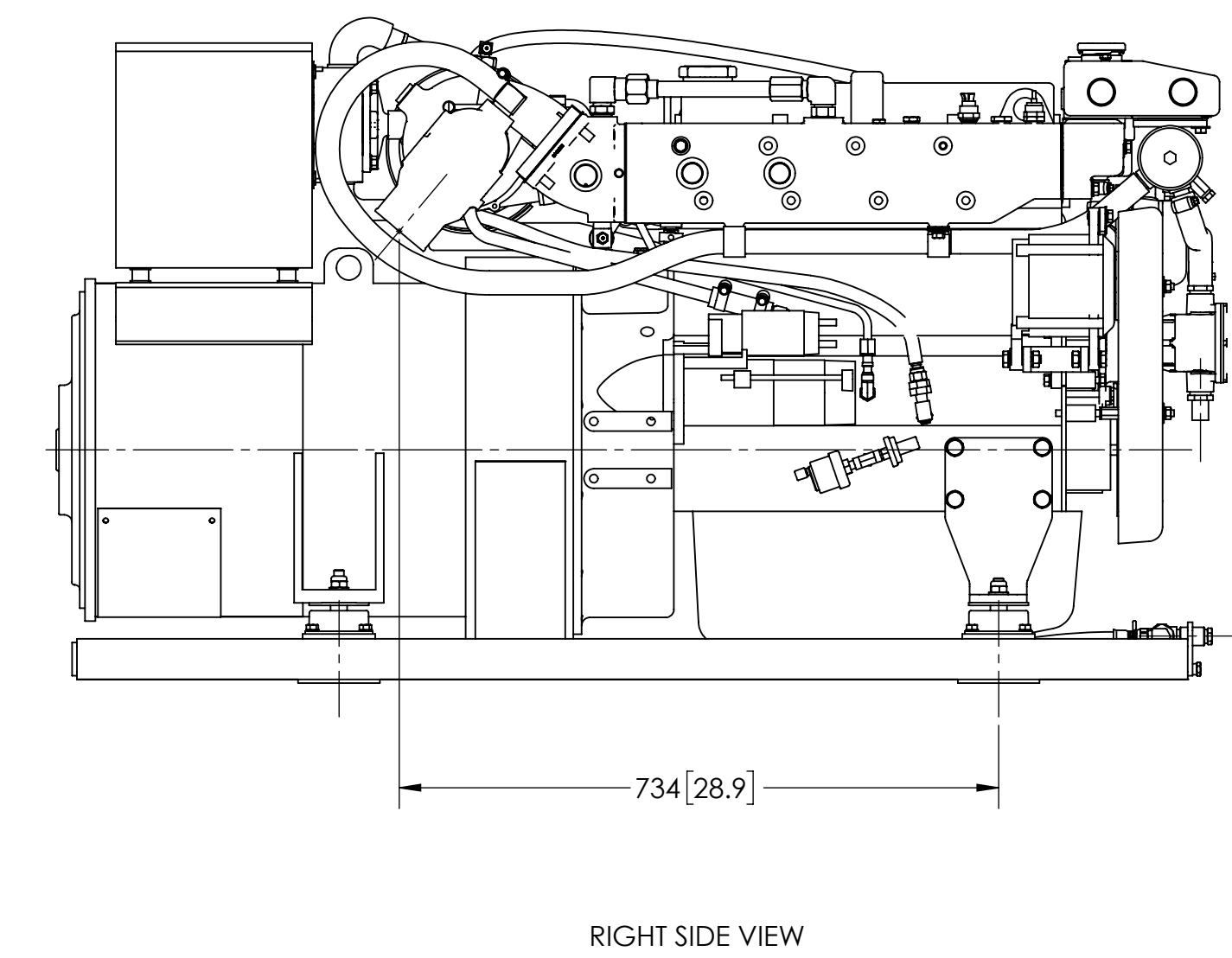
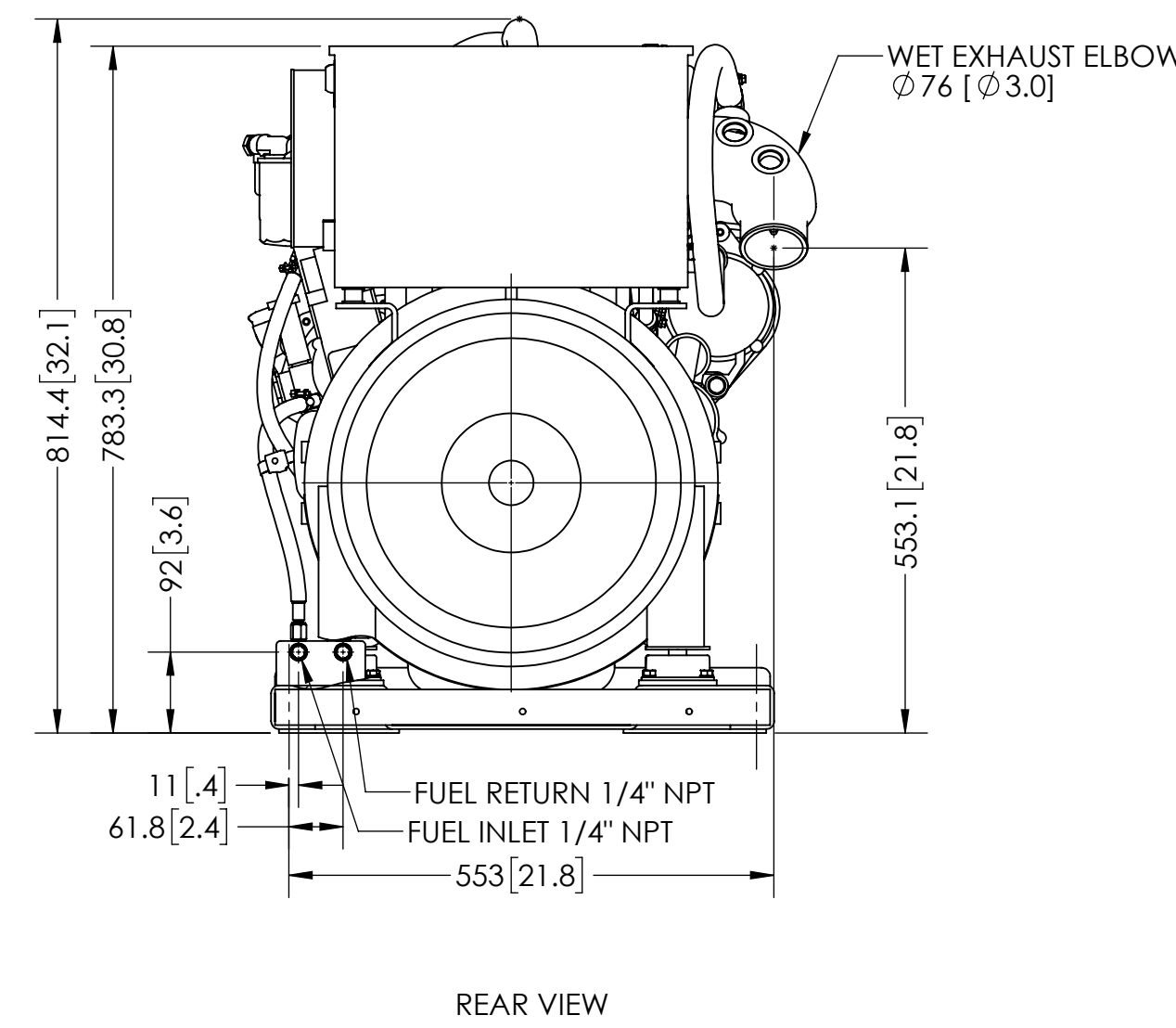
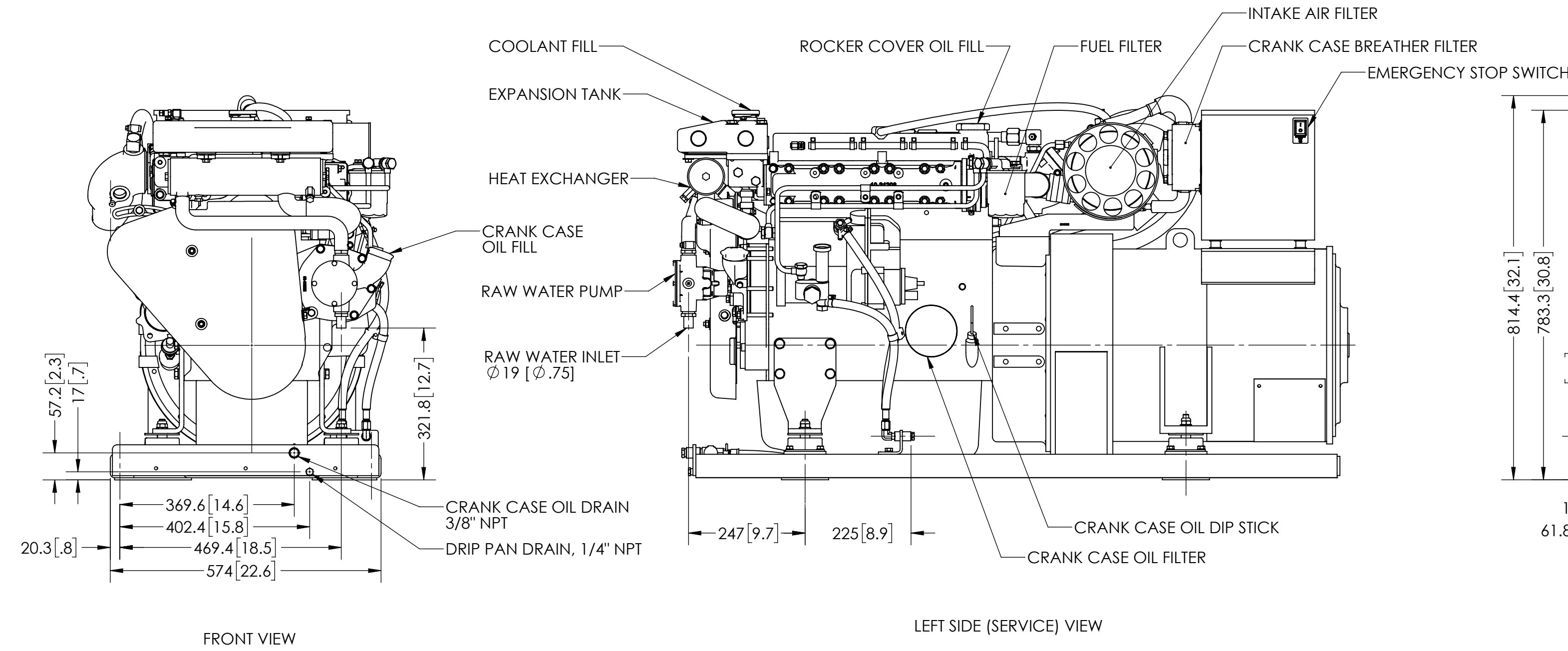
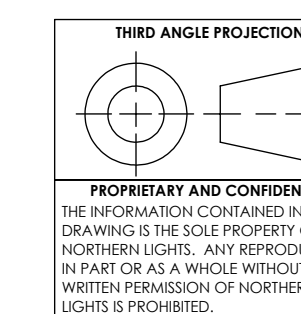


ISOMETRIC VIEWS



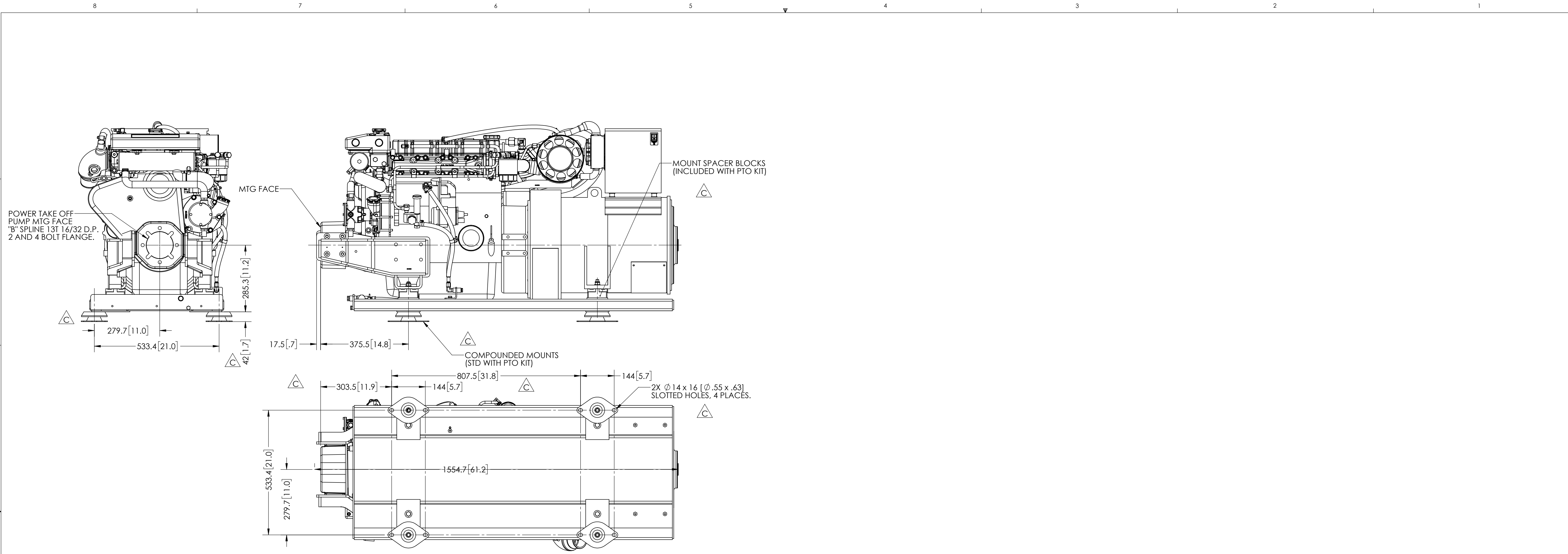
APPLIES TO MODELS:
M944TG.1
M944TG.5
M944TG.7



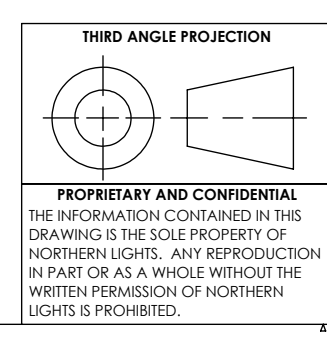
REV.	DESCRIPTION	DATE	BY	CHECKED
C	ECN#8800 ADDED MISSING COMPONENTS ON SHEET 2 OF 2. STD PTO KIT. ADDED MOUNT SPACERS AND COMPOUNDED MOUNTS.	8/25/2023	LTP	
B	PER ECN#8783 ADDED PTO VIEW, SHEET 2 OF 2	8/4/2023	LTP	
A	ADDED M944TG.1 TO MODEL APPLICATION TABLE. ECN#7231	3/2/2021	LTP	TAH

UNLESS OTHERWISE SPECIFIED:	NAME	DATE	<p>4420 14th AVE. N.W. Seattle, WA 98107 (206) 789-3880 www.northern-lights.com</p>
DIMENSIONS ARE IN MILLIMETERS	DRAWN	10/8/2020	
TOLERANCES:	CHECKED		
ANGULAR: MACH ±0.5° BEND ±1.0°	ENG APPR.		
X ±0.3 XX ±0.3	MFG APPR.		
INTERPRET GEOMETRIC TOLERANCING PER ASME Y14.5M	G.A.		TITLE:
MATERIAL:	COMMENTS:		INSTALLATION DIMENSIONS M944TG HEAT EXCHANGED
FINISH:			SIZE PART NO. DWG. NO. REV
DO NOT SCALE			D SEE TABLE D-5280 C
			SCALE: 1:8 WEIGHT: 629.5 kg [1388 lbs.] SHEET 1 OF 2



**POWER TAKE OFF OPTION**



UNLESS OTHERWISE SPECIFIED:	NAME	DATE
DIMENSIONS ARE IN MILLIMETERS	LTP	8/4/2023
TOLERANCES:	CHECKED	-
ANGULAR: MACH ± 0.5° BEND ± 1.0°	ENG APPR.	
.X ± 0.5	MEG APPR.	
.XX ± 0.3	Q.A.	
INTERPRET GEOMETRIC TOLERANCING PER ASME Y14.5M	COMMENTS:	
MATERIAL:		
FINISH:		
<b>DO NOT SCALE</b>		

**NORTHERN LIGHTS** 4420 14th AVE. N.W. Seattle, WA 98107 (206) 789-3880 www.northern-lights.com

TITLE: **INSTALLATION DIMENSIONS - OPTIONS PAGE M944TG HEAT EXCHANGED**

SIZE	PART NO.	DWG. NO.	REV
<b>D</b>	<b>SEE TABLE</b>	<b>D-5280</b>	<b>C</b>
SCALE: 1:8	WEIGHT:	SHEET 2 OF 2	