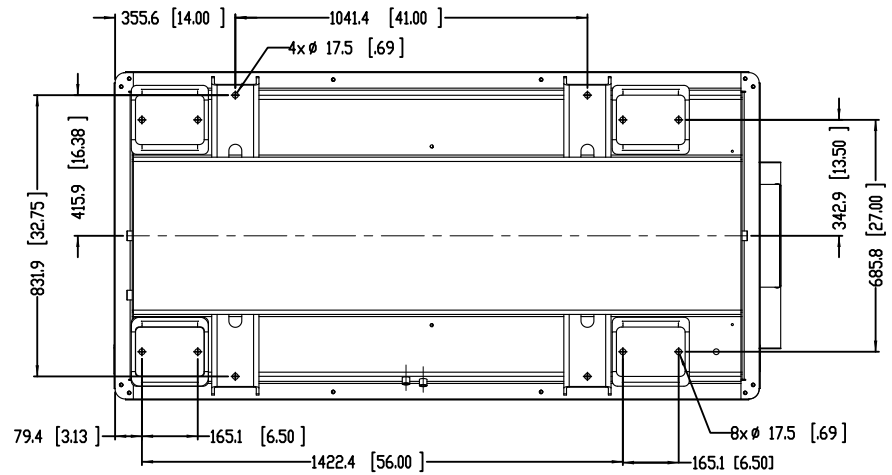
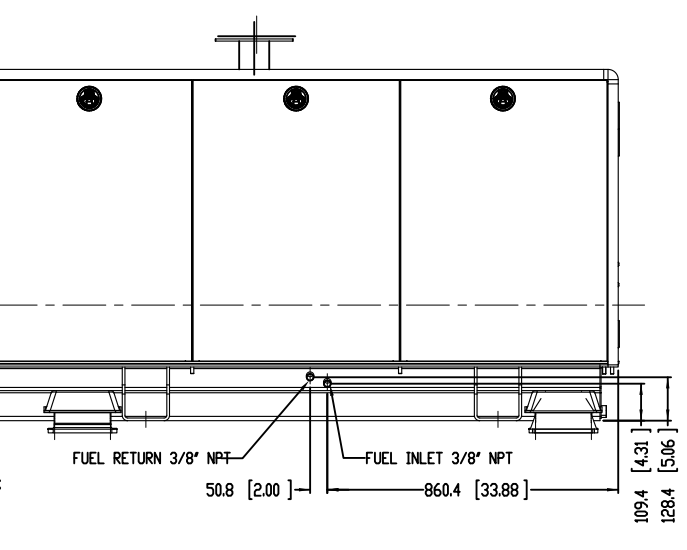
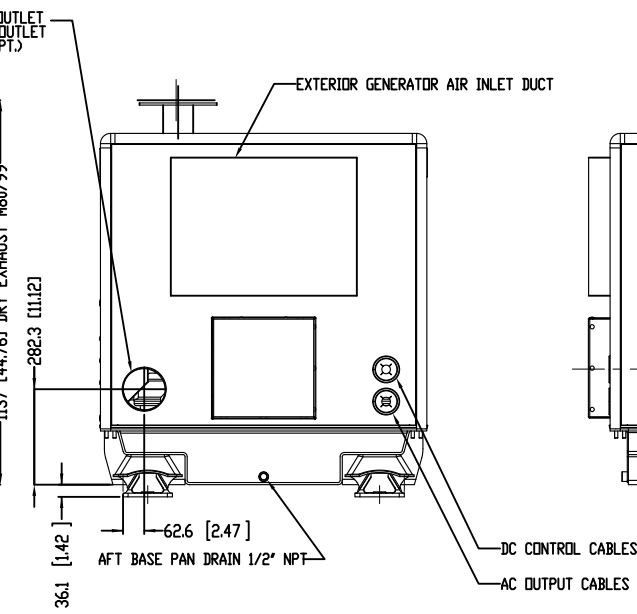
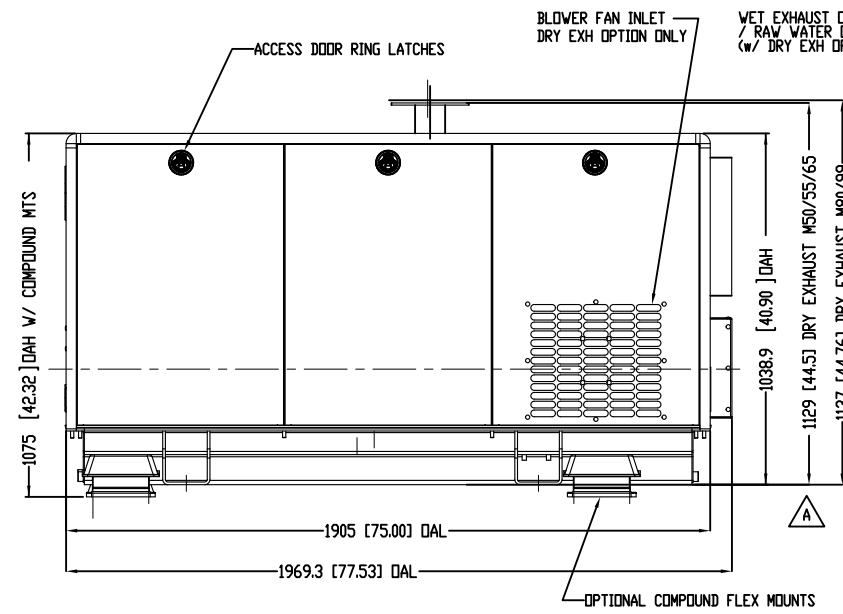
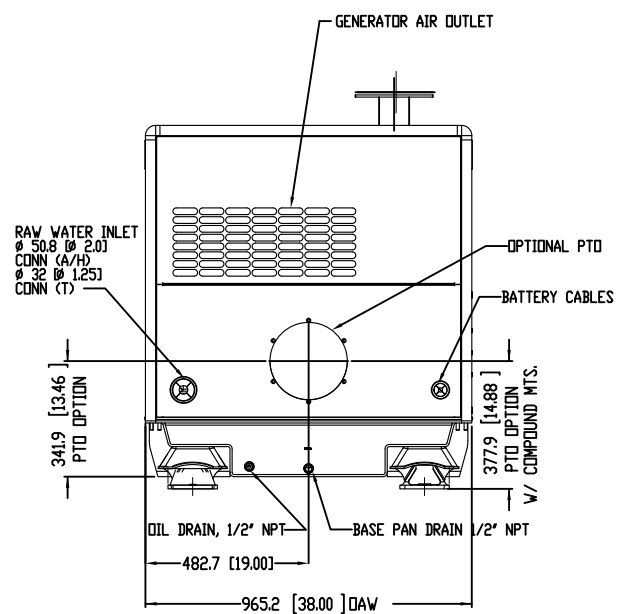
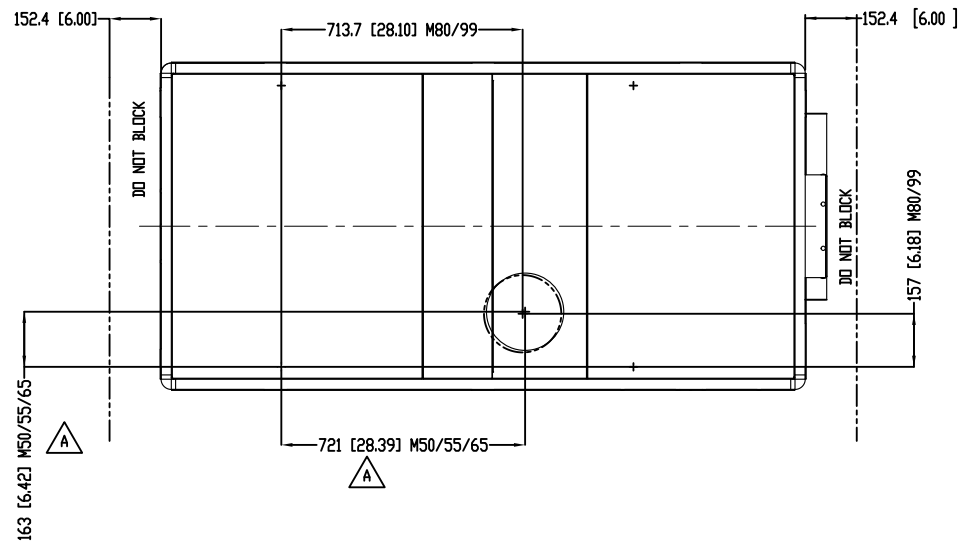
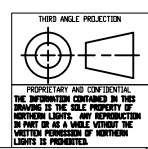


OPTIONAL Ø102 4" [102]
 DRY EXHAUST OUTLET
 Ø19.05 [7.5], 8 HOLES EQ.
 SP DN Ø190.5 [7.5] B.C.
 FLANGE 228.6 [9.0] O.D.



MODEL/APPLICATION	NLI PART NUMBER	APPROX SHIELD WT.	APPROX TOTAL WT.
M50/65/80/99 STD	05-19425	190.8 kG (420.6 lbs.)	1413 kG (3115 lbs.)
M50/65/80/99 CLASSED	05-19435	172.6 kG (380.6 lbs.)	1394.5 kG (3075 lbs.)



PROPRIETARY AND CONFIDENTIAL
 THE INFORMATION CONTAINED IN THIS DRAWING IS THE SOLE PROPERTY OF NORTHERN LIGHTS. ANY REPRODUCTION IN PART OR AS A WHOLE WITHOUT THE WRITTEN PERMISSION OF NORTHERN LIGHTS IS PROHIBITED.

UNLESS OTHERWISE SPECIFIED DIMENSIONS ARE IN MILLIMETERS	NAME	DATE	NORTHERN LIGHTS INC 4420 14th AVE. N.W. Seattle, WA 98107 (206) 789-3880 www.northern-lights.com
TOLERANCES: ANGULAR: ±0.5° HOLE: ±0.05 BEND: ±1.0° H: ±0.05 L: ±0.03 INTERPRET GEOMETRIC TOLERANCING PER: ASME Y14.5M	DRAWN	05/12/22	
FINISH	CHECKED		TITLE: INSTALLATION DIMENSIONS SOUND SHIELD DEERE MARINIZED GENSET WITH STAMFORD UCM274E
DO NOT SCALE	ENG APPR.		
	MFG APPR.		SIZE: PART NO. D SEE TABLE SCALE: 1:10 WEIGHT: SEE TABLE DWG NO. D-5477 REV A
	DA		REVISIONS A ADDED WEIGHT LIST, CORRECT DRY EXH OUTLET DIM WAS 713.7, 157.2 ECDN8946 1/11/2024 LTP REV DESCRIPTION DATE BY

REV A
D
P-5477