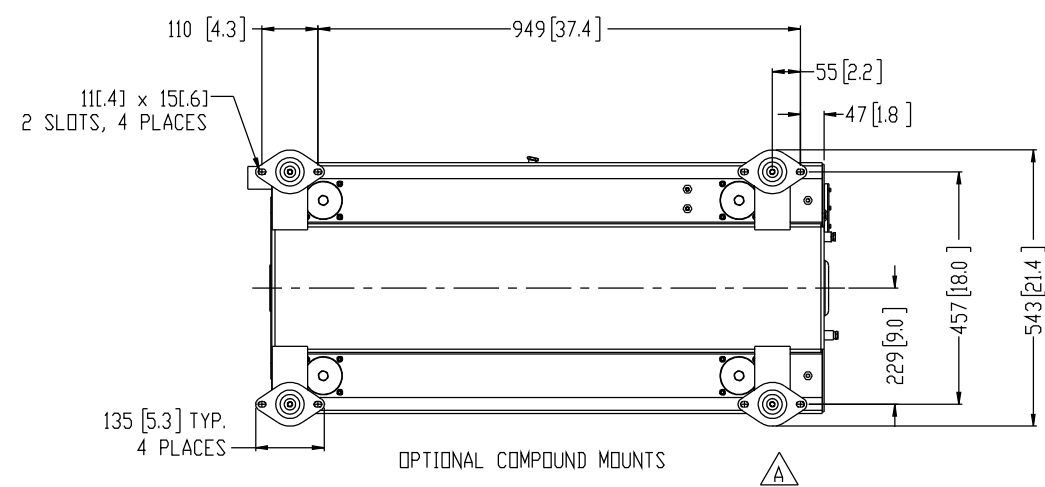
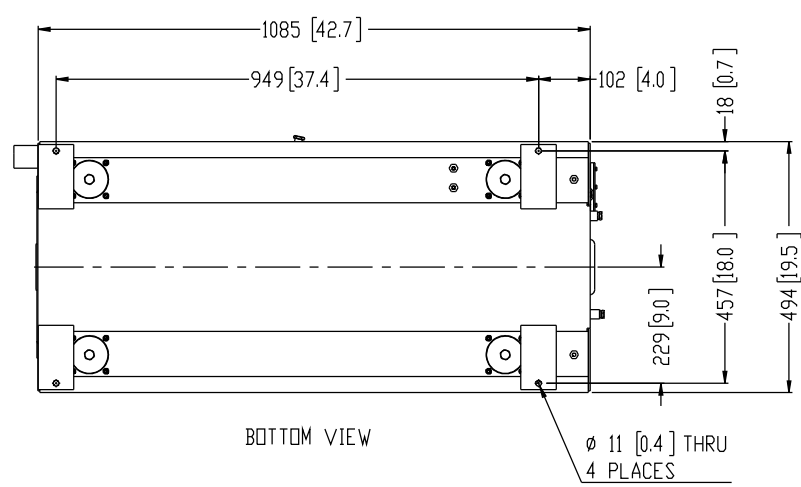
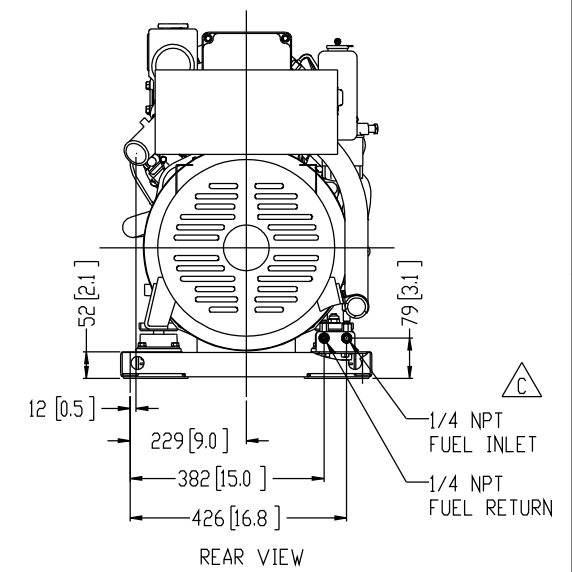
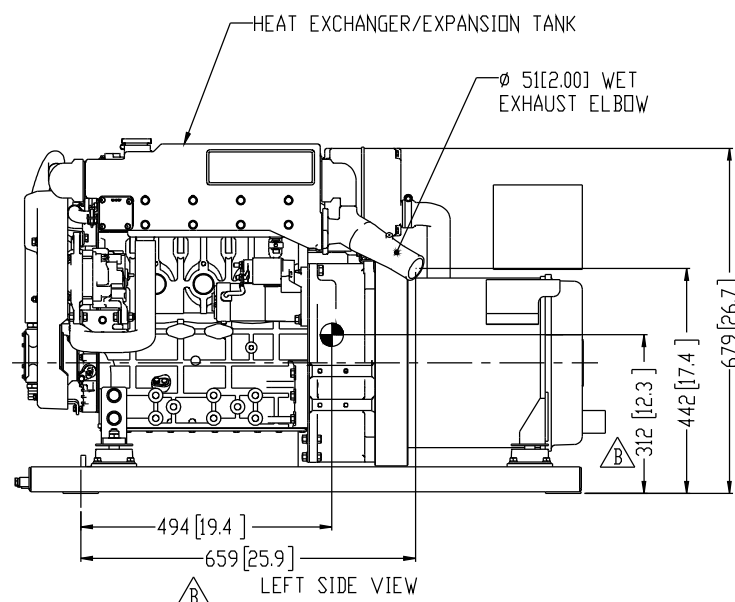
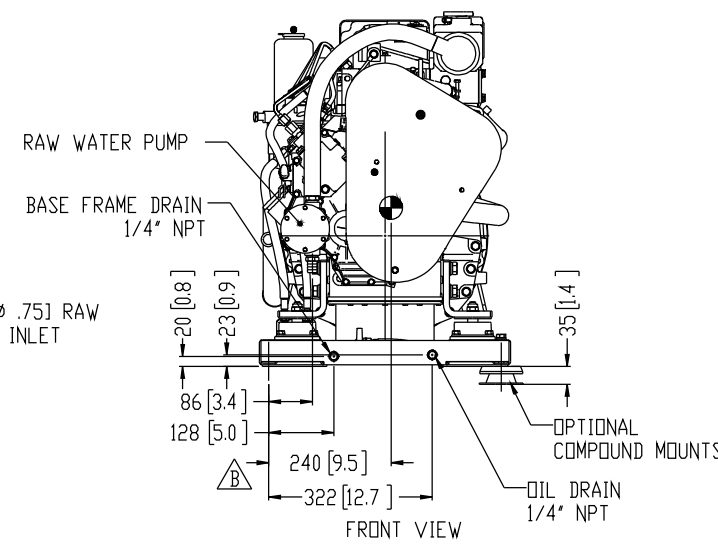
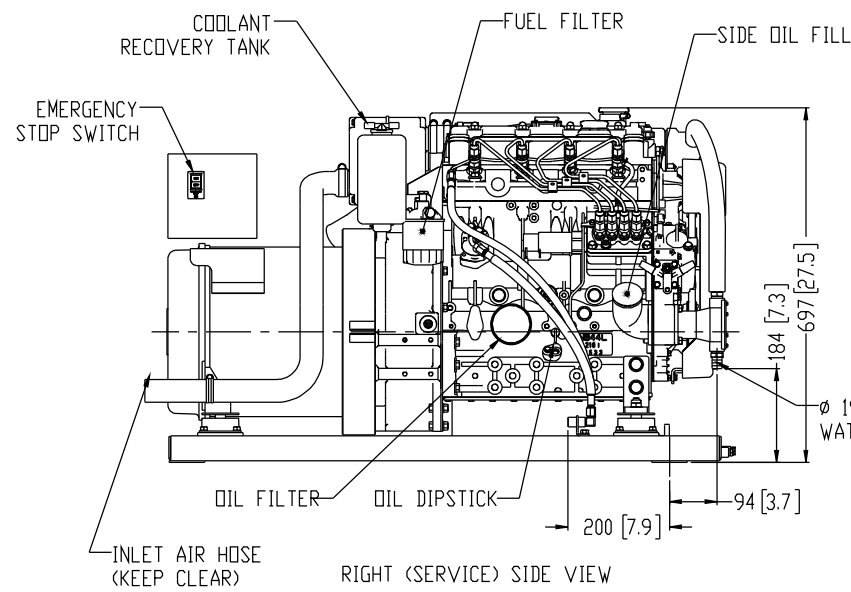
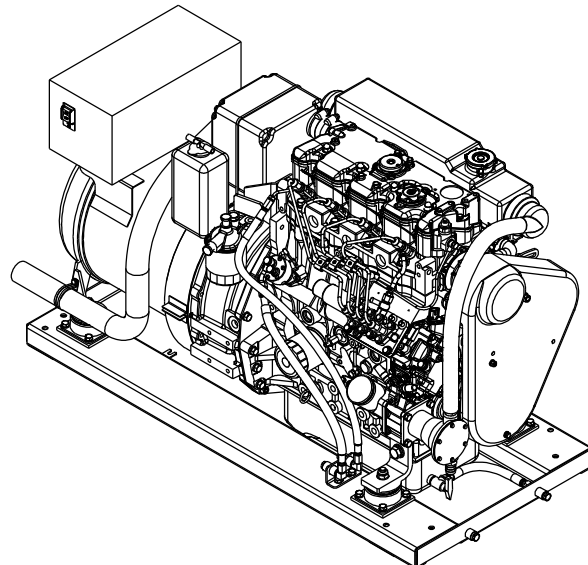
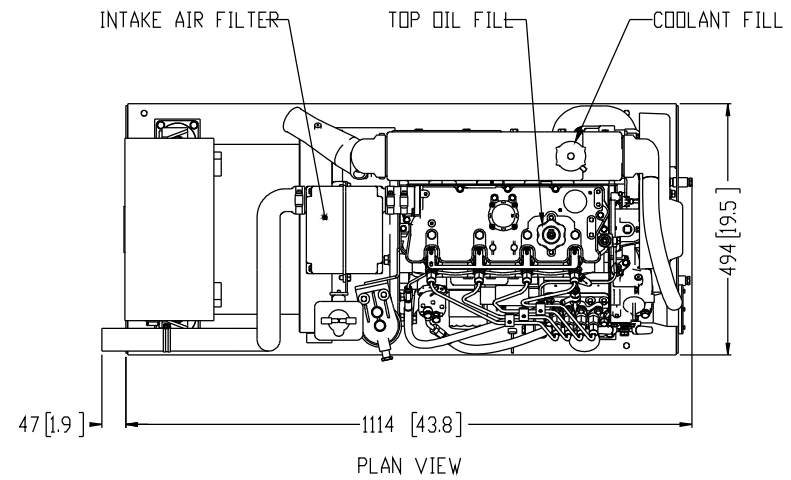
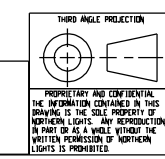


GENERATOR APPLICATION TABLE					
M844LW3	20 KW	1800 RPM	3 PHASE	60 HZ	
M844LW3	20 KW	1800 RPM	1 PHASE	60 HZ	
M844LW3	16 KW	1500 RPM	3 PHASE	50 HZ	
M844LW3	16 KW	1500 RPM	1 PHASE	50 HZ	
M844DW3	16 KW	1800 RPM	3 PHASE	60 HZ	
M844DW3	16 KW	1800 RPM	1 PHASE	60 HZ	
M844DW3	14 KW	1500 RPM	3 PHASE	50 HZ	
M844DW3	14 KW	1500 RPM	1 PHASE	50 HZ	



THE DIMENSIONS ON THIS DRAWING ARE SUBJECT TO CHANGE. PLEASE CONTACT NORTHERN LIGHTS INC. TO BE SURE YOU HAVE THE MOST CURRENT REVISION.



UNLESS OTHERWISE SPECIFIED		NAME	DATE
DRAWN	GT	5/16/18	
CHECKED			
ENG APPR.			
MFG APPR.			
D.A.			
COMMENTS:			

REVISIONS			
REV.	DESCRIPTION	DATE	BY
D	ADDED SHT 2 WITH PTD VIEWS. ECN 8792	8/17/2023	MG
C	UPDATE FUEL CONNECTIONS TO NPT. ECN# 7829	2/14/2022	MK
B	PER ECN#7193 ADDED CENTER OF GRAVITY AND RELATED DIMS	1/25/2021	LTP
A	UPDATE VIEW FOR OPT COMPOUND MOUNTS. ECN #6507	1/21/2020	MK
			LTP

NORTHERN LIGHTS  
 4420 14th AVE. N.W.  
 Seattle, WA 98107  
 (206) 789-3880  
 WWW: northern-lights.com

TITLE: INSTALLATION DIMENSIONS  
 M844LW3 GEM SERIES

SIZE: PART NO. D SEE TABLE DWG. NO. D-5104 REV. D  
 SCALE: 1:7 WEIGHT: 438 kg [964.9 lbs] SHEET 1 OF 2

D-5104