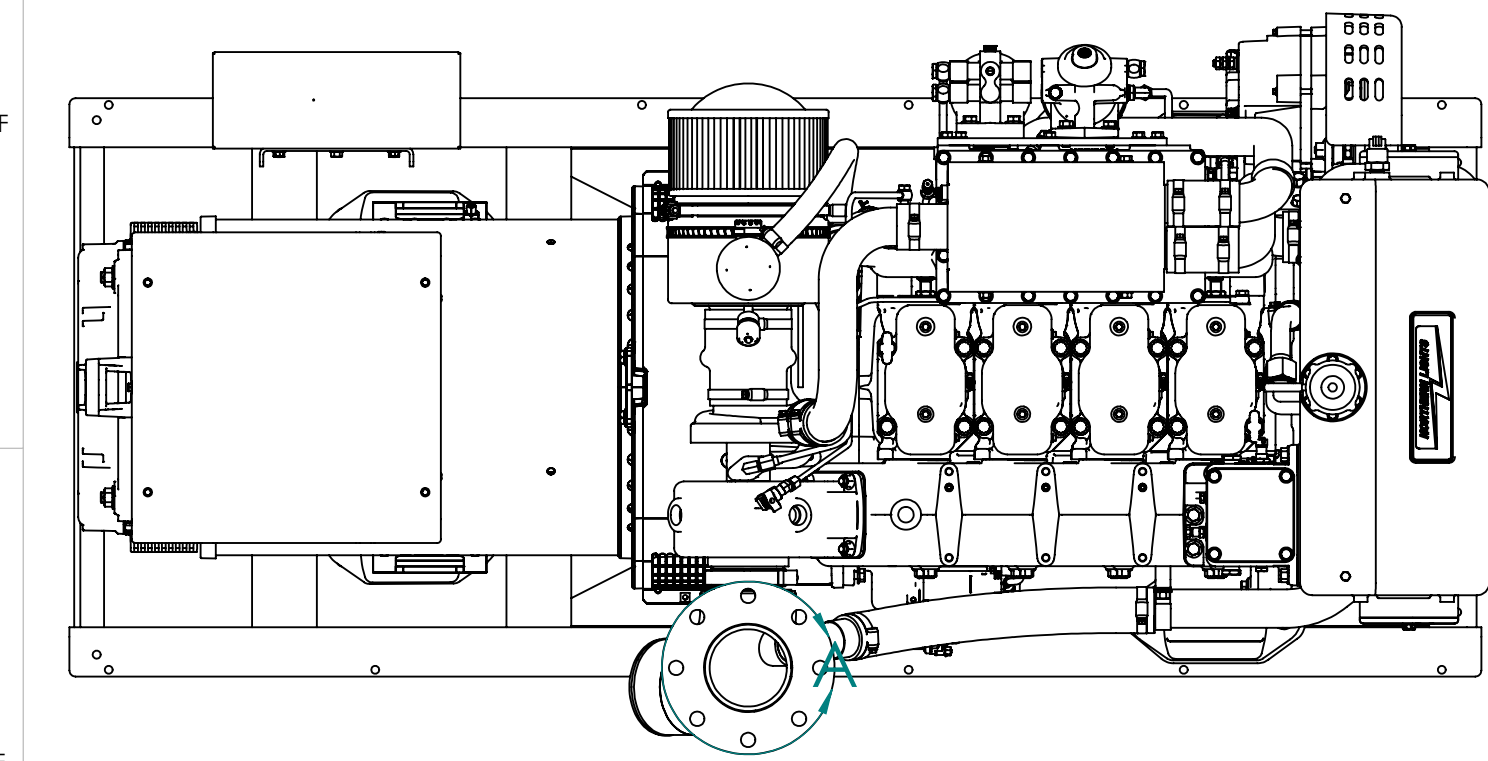


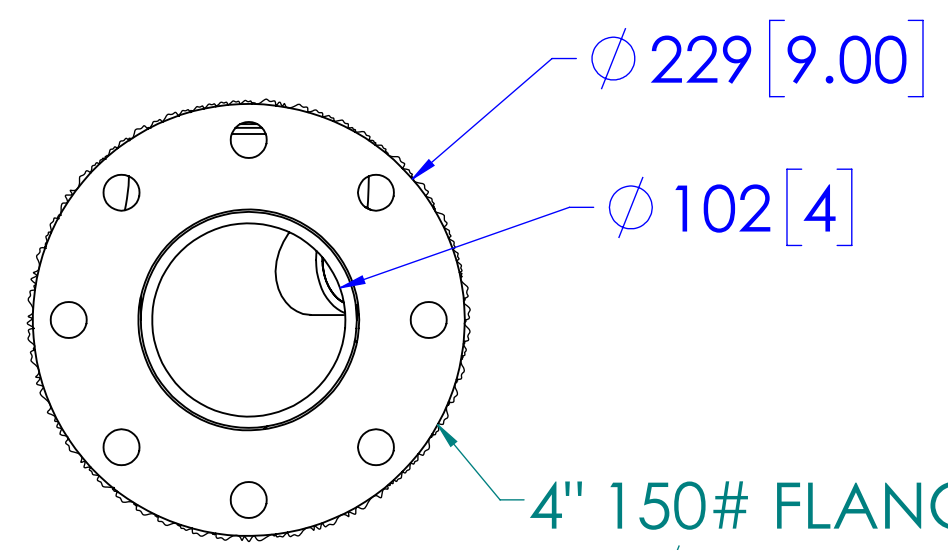
MODEL	DESCRIPTION	APPROX. WT. LBS [kg]
M4105A6.1	145 KW.E @ 1800 RPM (60HZ), HEAT EXCHANGED	2901 [1316]

NOTE: WEIGHT INCLUDES OIL, BUT NO COOLANT. VALUES ARE APPROXIMATIONS AND ARE SUBJECT TO CHANGE. PLEASE CONTACT NLI TO BE SURE YOU HAVE THE LATEST REVISION.

ITEM	DESCRIPTION	ITEM	DESCRIPTION
1	SEAWATER INLET (Ø 2.0 H.B.)	14	ENGINE OIL FILL
2	HEAT EXCHANGER	15	FUEL RETURN PORT (3/8" NPT)
3	COOLANT FILL	16	FUEL SUPPLY PORT (3/8" NPT)
4	AFTERCOOLER	17	OIL DRAIN PORT (1/2" NPT)
5	OPTIONAL WET EXHAUST ELBOW (Ø 5" H.B)	18	ALTERNATOR
6	ELECTRIC STARTER MOTOR (12V STD/ 24V OPT)	19	OPTIONAL DRY EXHAUST ELBOW
7	EXPANSION TANK	20	
8	THERMOSTAT HOUSING	21	
9	FUEL/WATER SEPERATOR	22	
10	FINAL FUEL FILTER	23	
11	OIL FILTER	24	
12	AIR FILTER & COALESCING FILTER	25	
13	ENGINE OIL DIPSTICK	26	

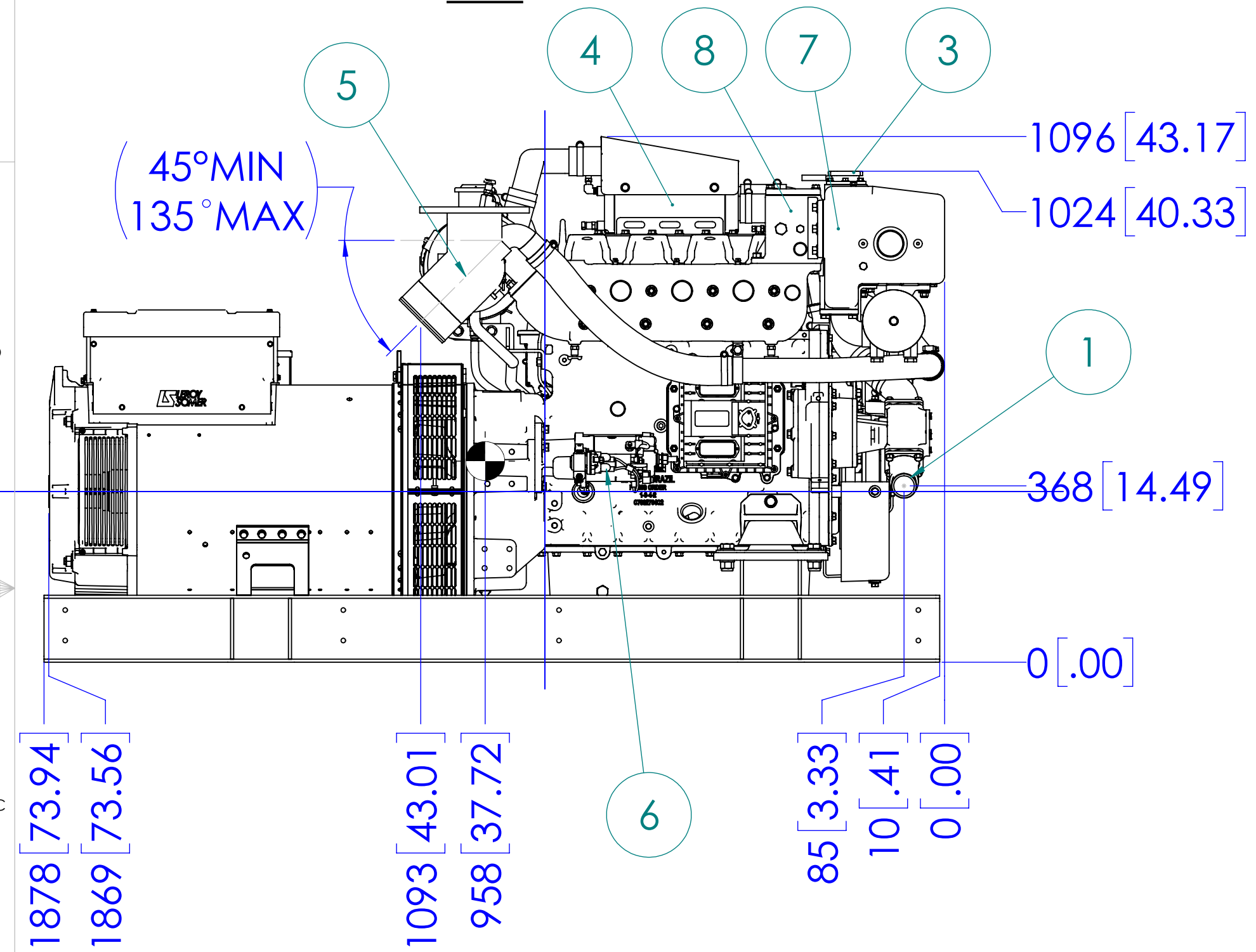


TOP

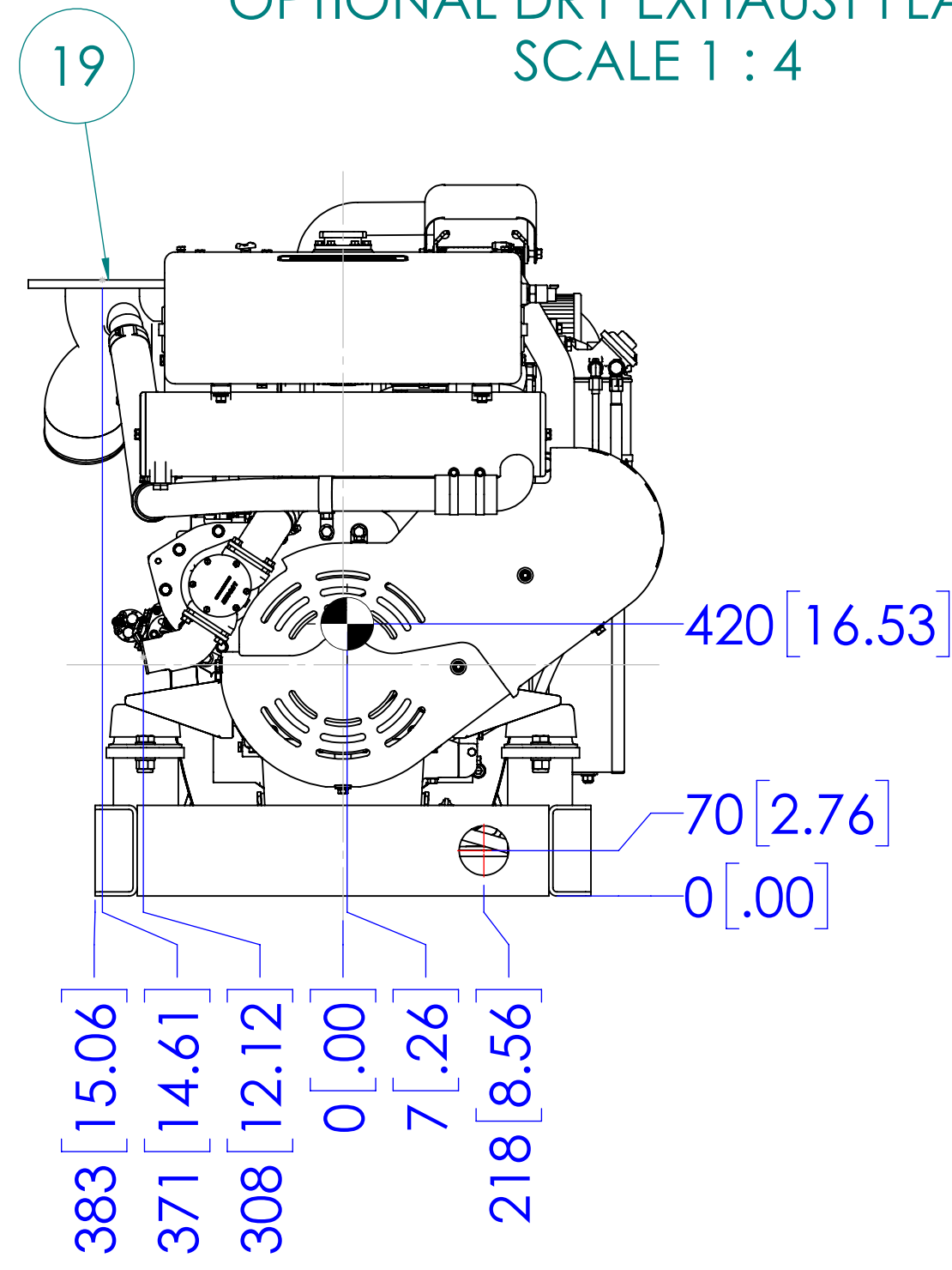


4" 150# FLANGE  
8 x Ø 0.75" THRU HOLES ON 7.5" B.C.

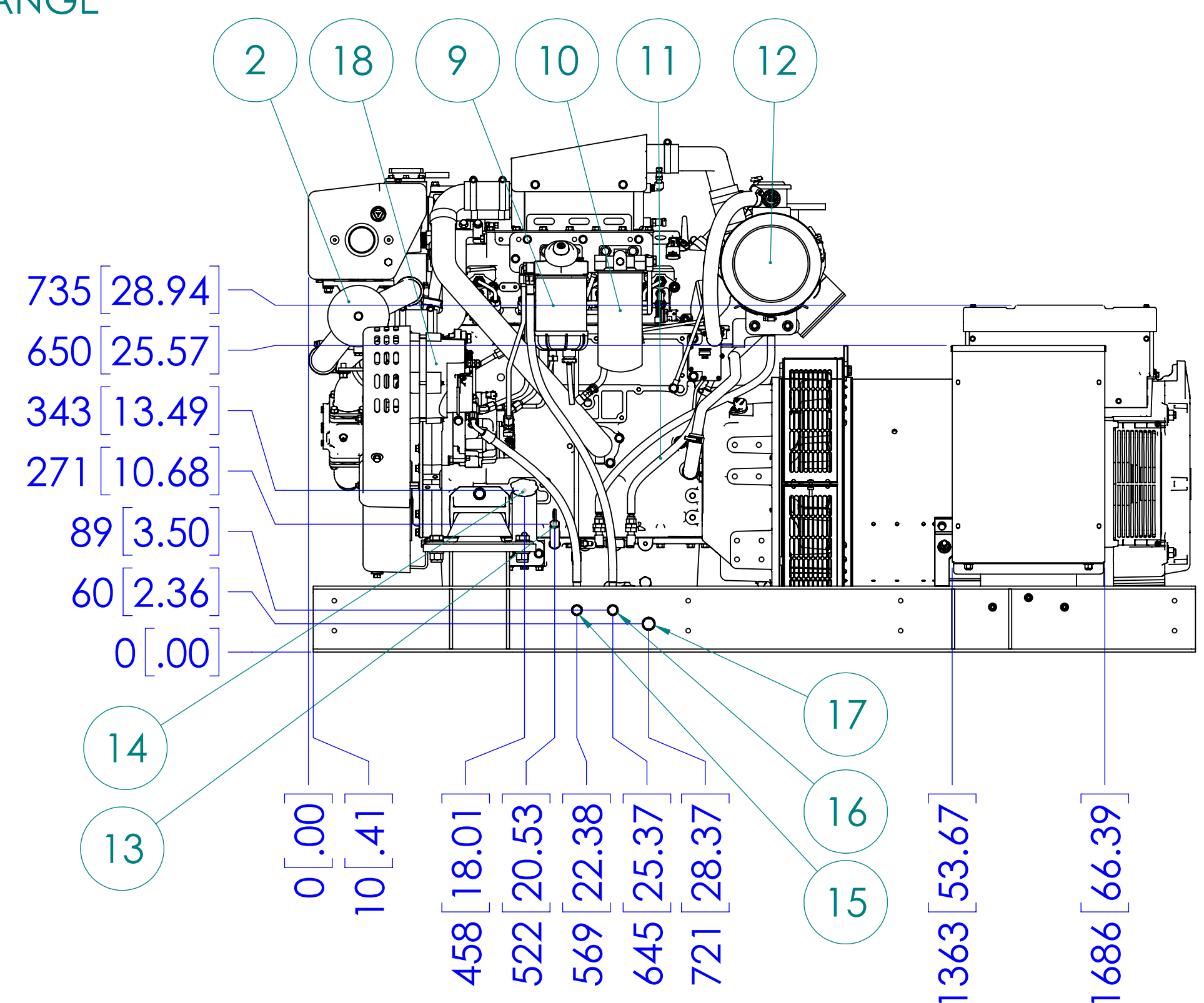
DETAIL A  
OPTIONAL DRY EXHAUST FLANGE  
SCALE 1 : 4



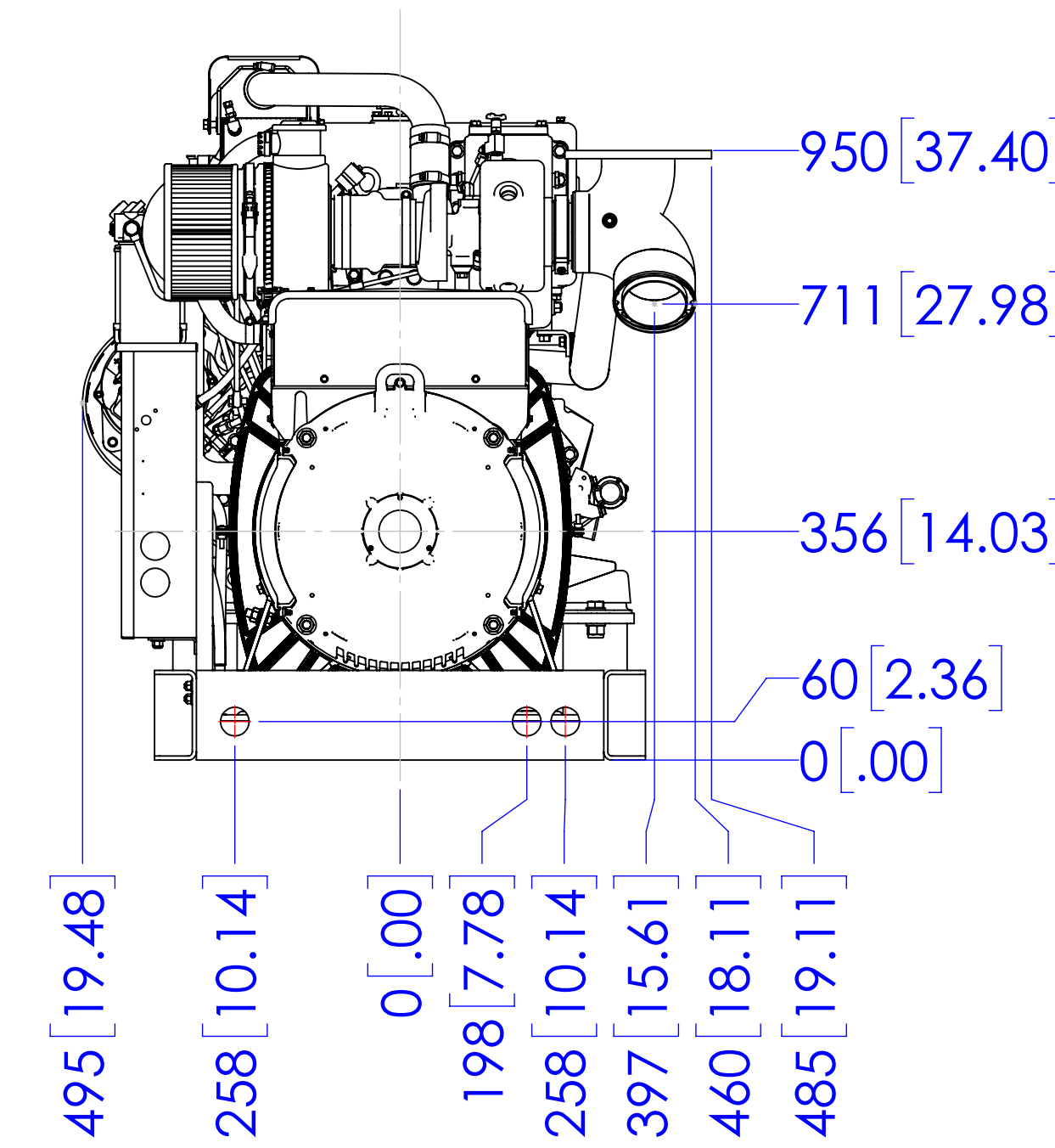
LEFT SIDE



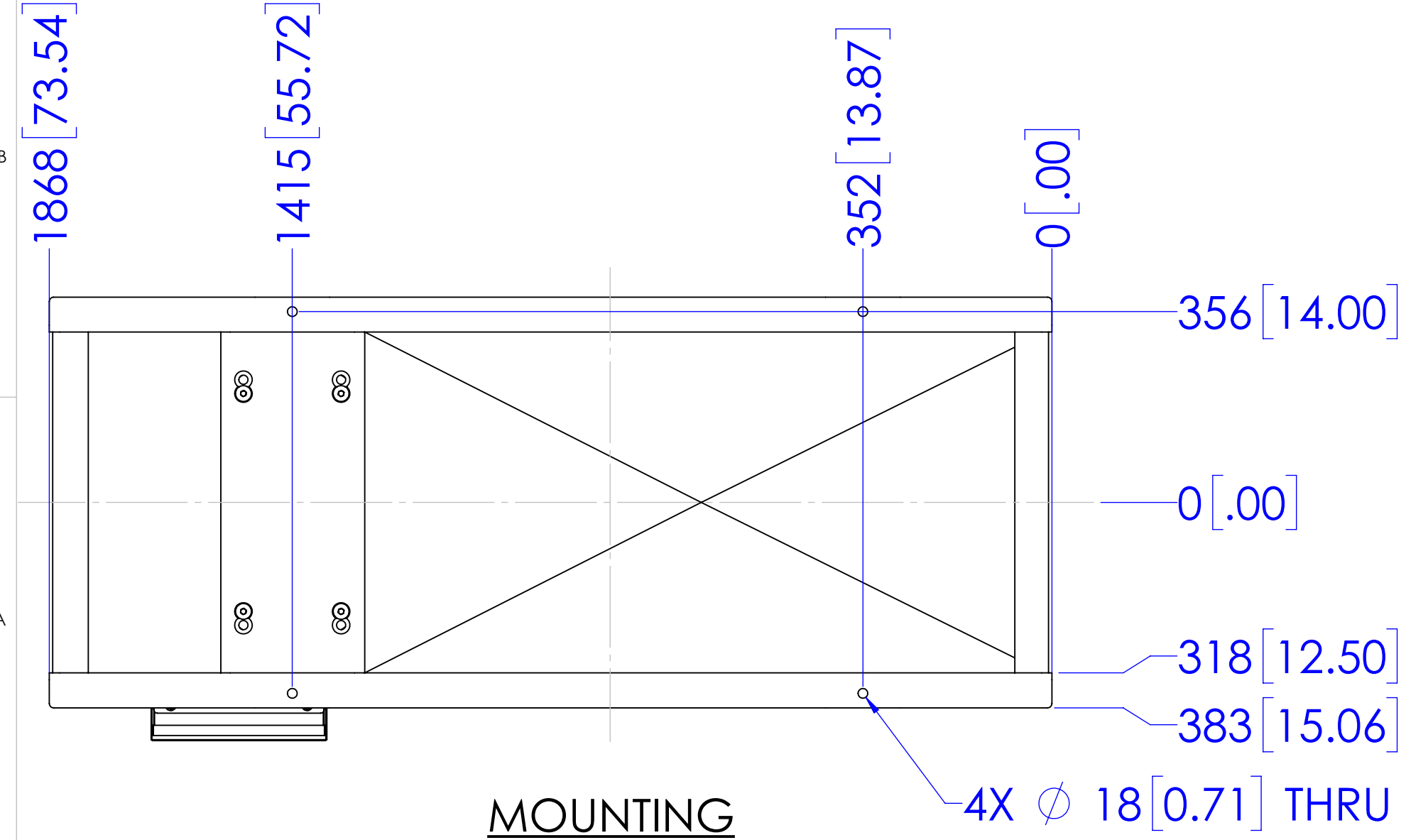
FRONT



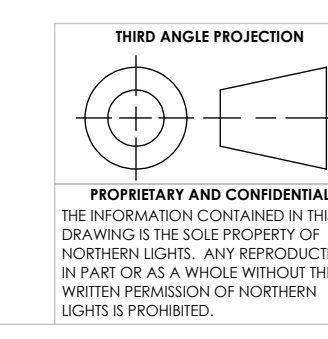
SERVICE SIDE



REAR



MOUNTING



UNLESS OTHERWISE SPECIFIED: DIMENSIONS ARE IN MILLIMETERS TOLERANCES: ANGULAR: ±0.5° X ± 0.5 XX ± 0.3 BEND ± 1.0° INTERPRET GEOMETRIC TOLERANCING PER ASME Y14.5M	DRAWN: JPW CHECKED: MEG APPR. G.A. COMMENTS:	NAME: J.P.W. DATE: 7/3/2024
PROPRIETARY AND CONFIDENTIAL THE INFORMATION CONTAINED IN THIS DRAWING IS THE SOLE PROPERTY OF NORTHERN LIGHTS. ANY REPRODUCTION IN PART OR AS A WHOLE WITHOUT THE WRITTEN PERMISSION OF NORTHERN LIGHTS IS PROHIBITED.	FINISH: DO NOT SCALE	

**NORTHERN LIGHTS**  
4420 14th AVE. N.W.  
Seattle, WA 98107  
(206) 789-3880  
www.northern-lights.com

TITLE: INSTALLATION DIMENSIONS  
M4105A6.1, 60HZ, LSA 44.3 VL14

SIZE: <b>D</b>	PART NO.: SEE TABLE	DWG. NO.: D-5570	REV:
SCALE: 1:10	WEIGHT:	SHEET 1 OF 1	