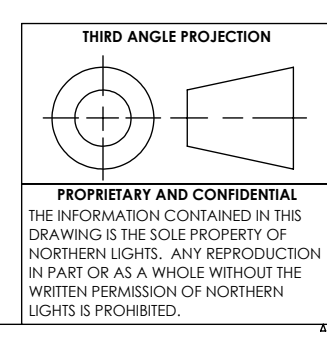
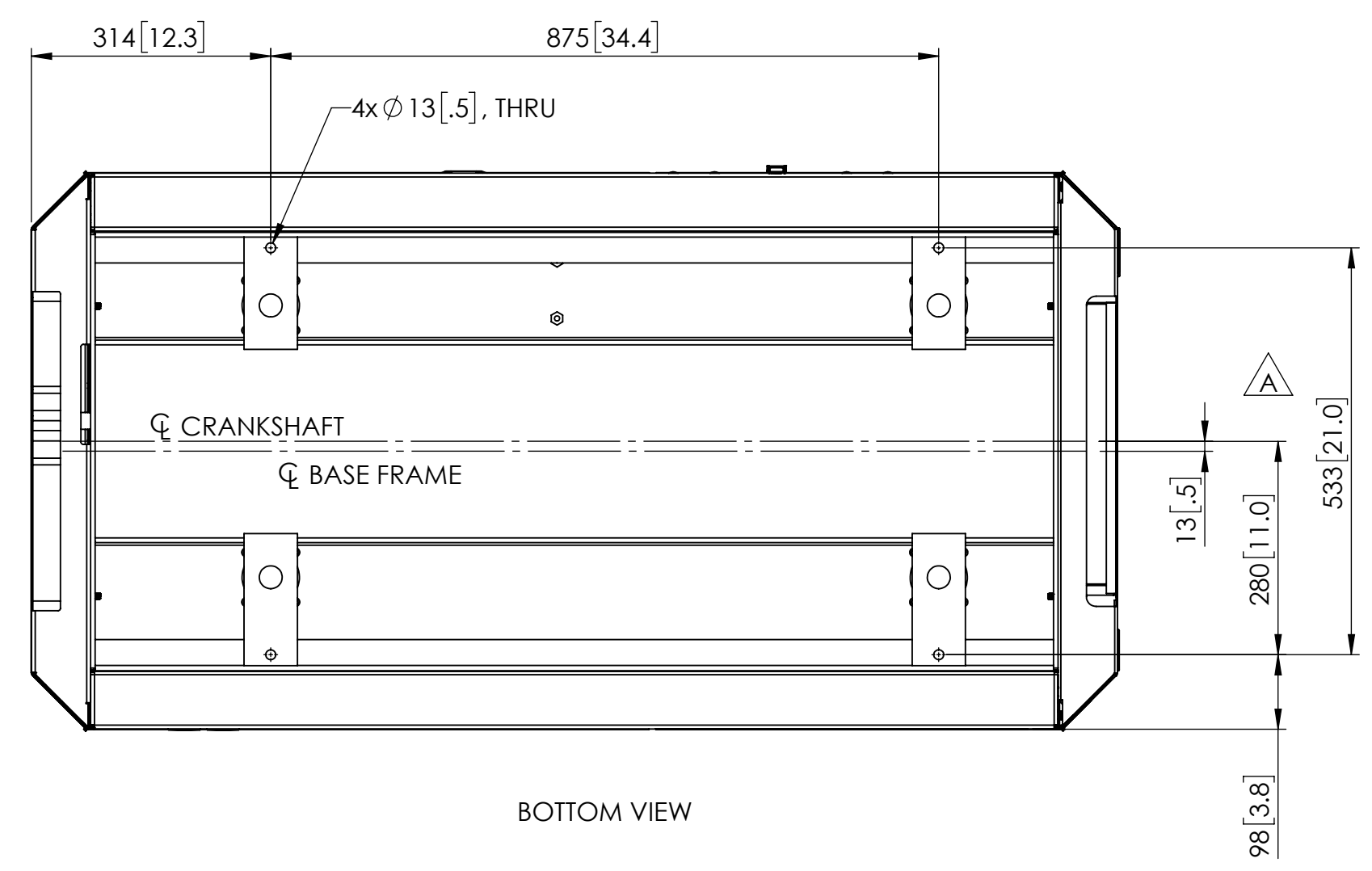
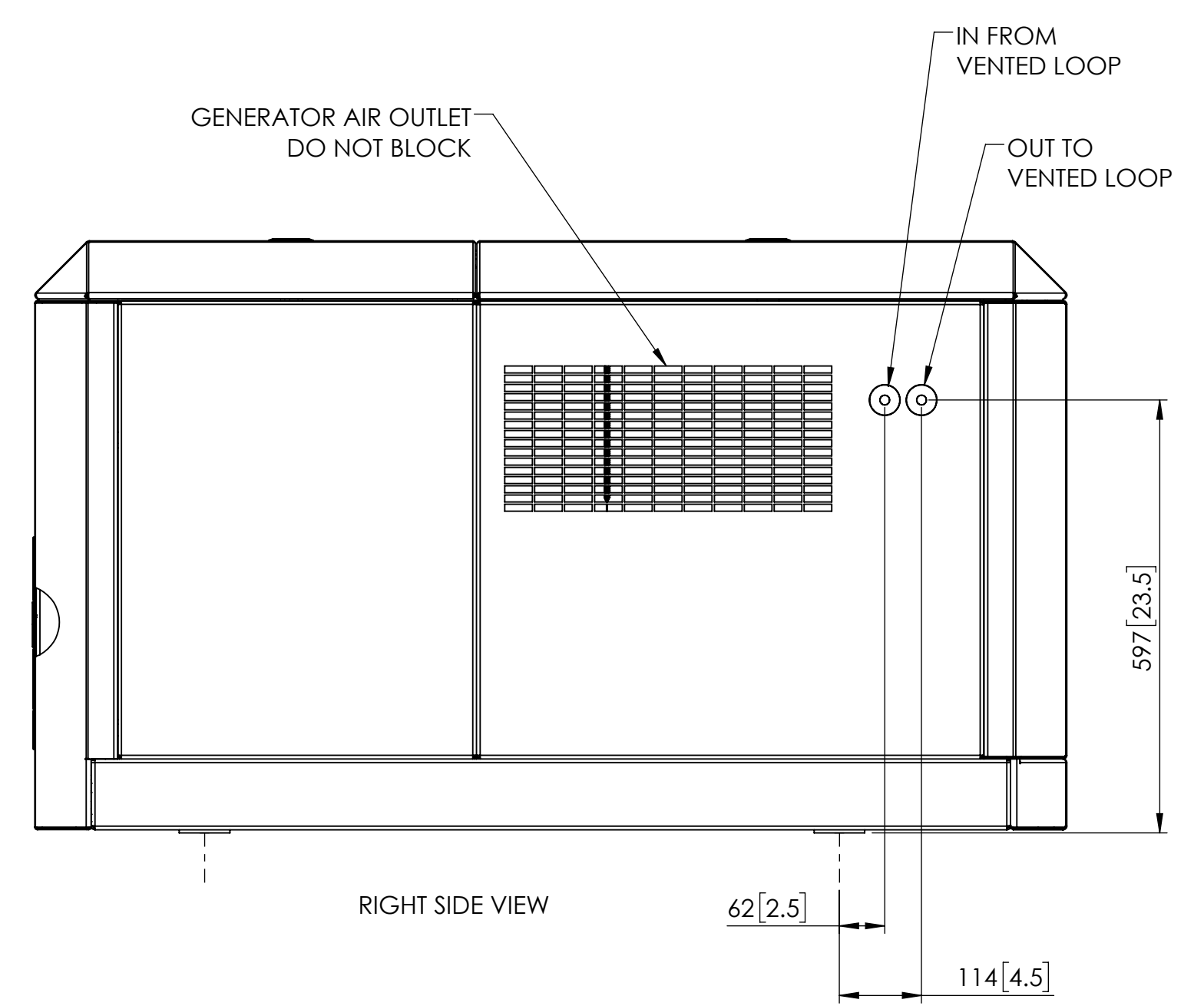
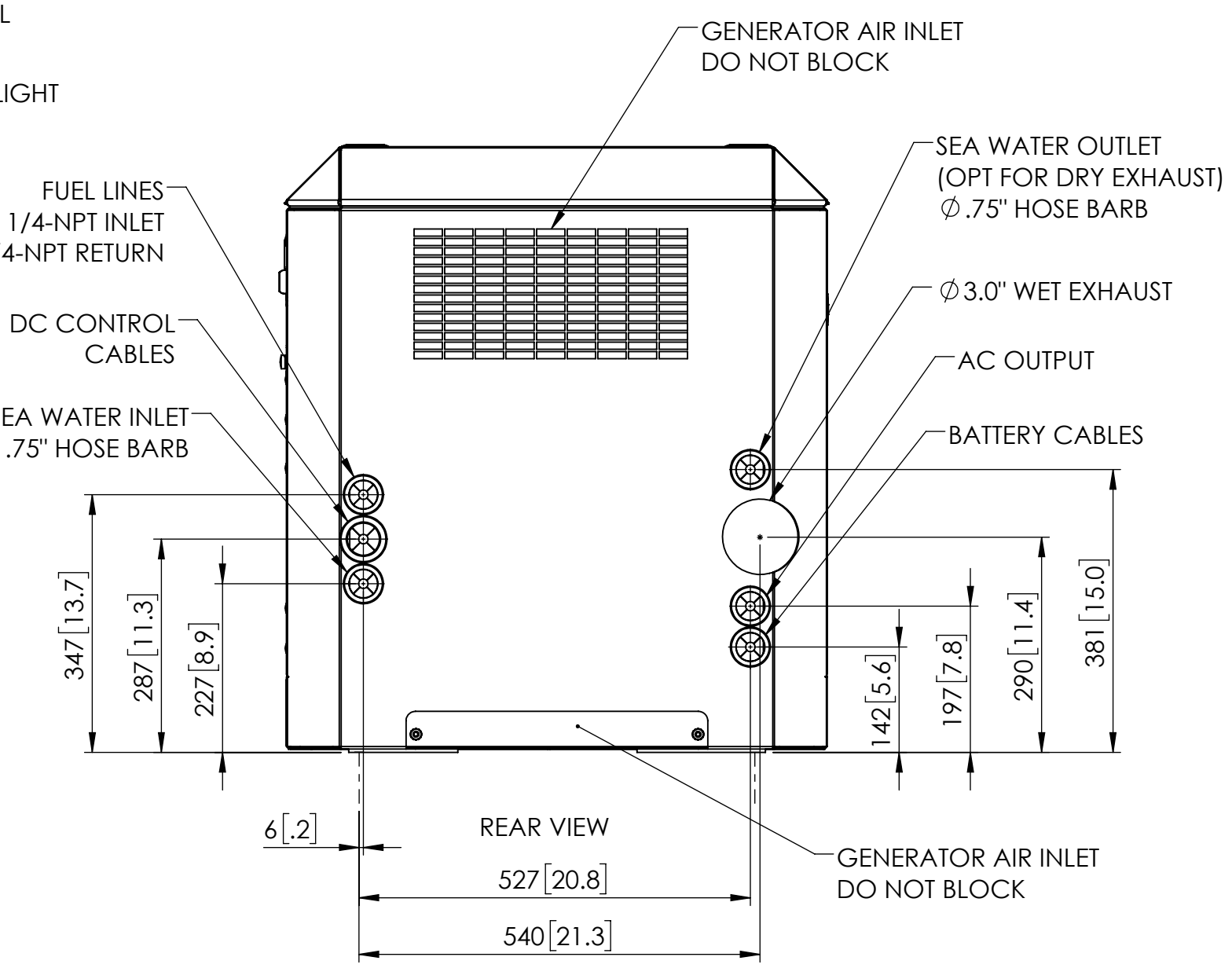
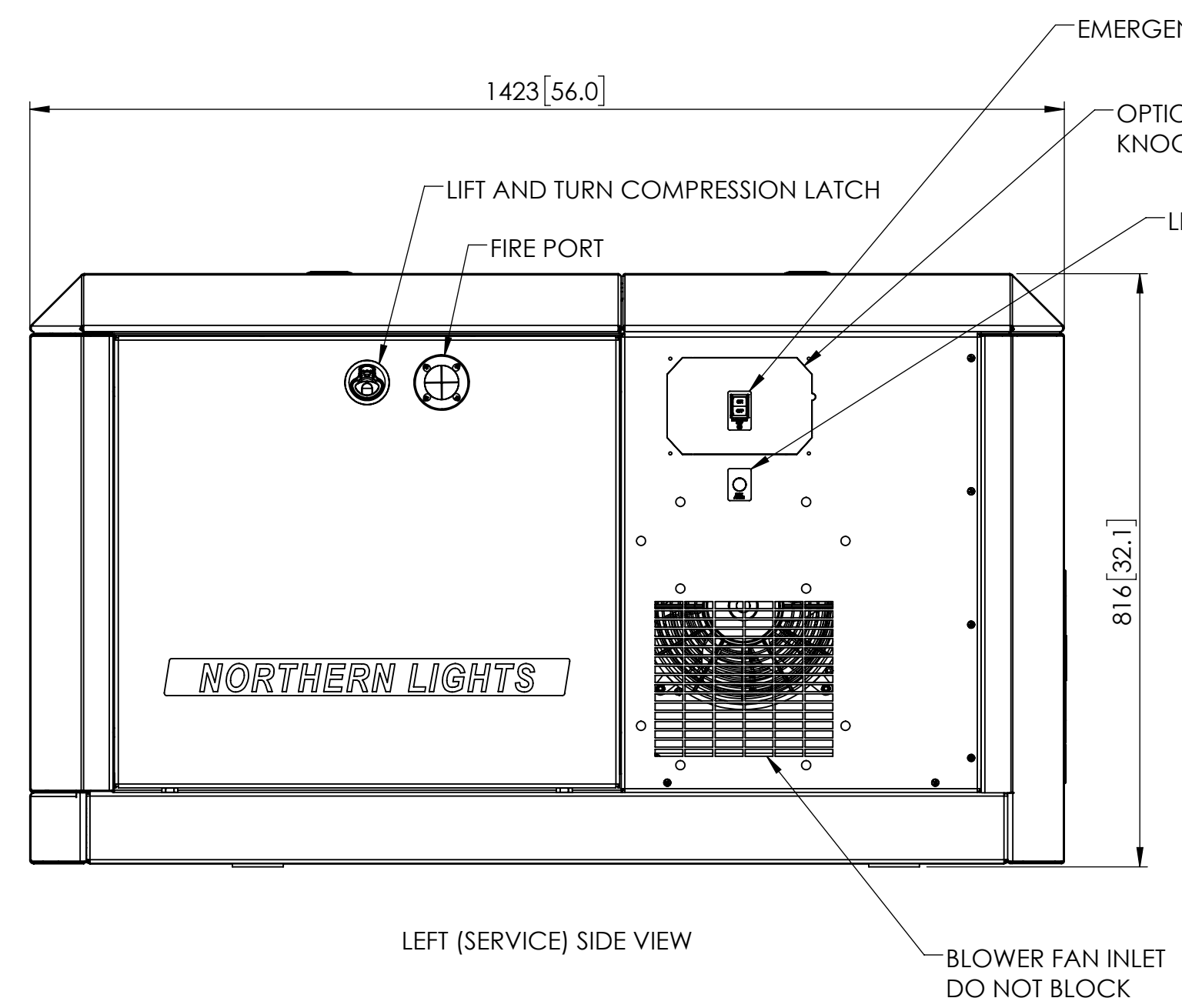
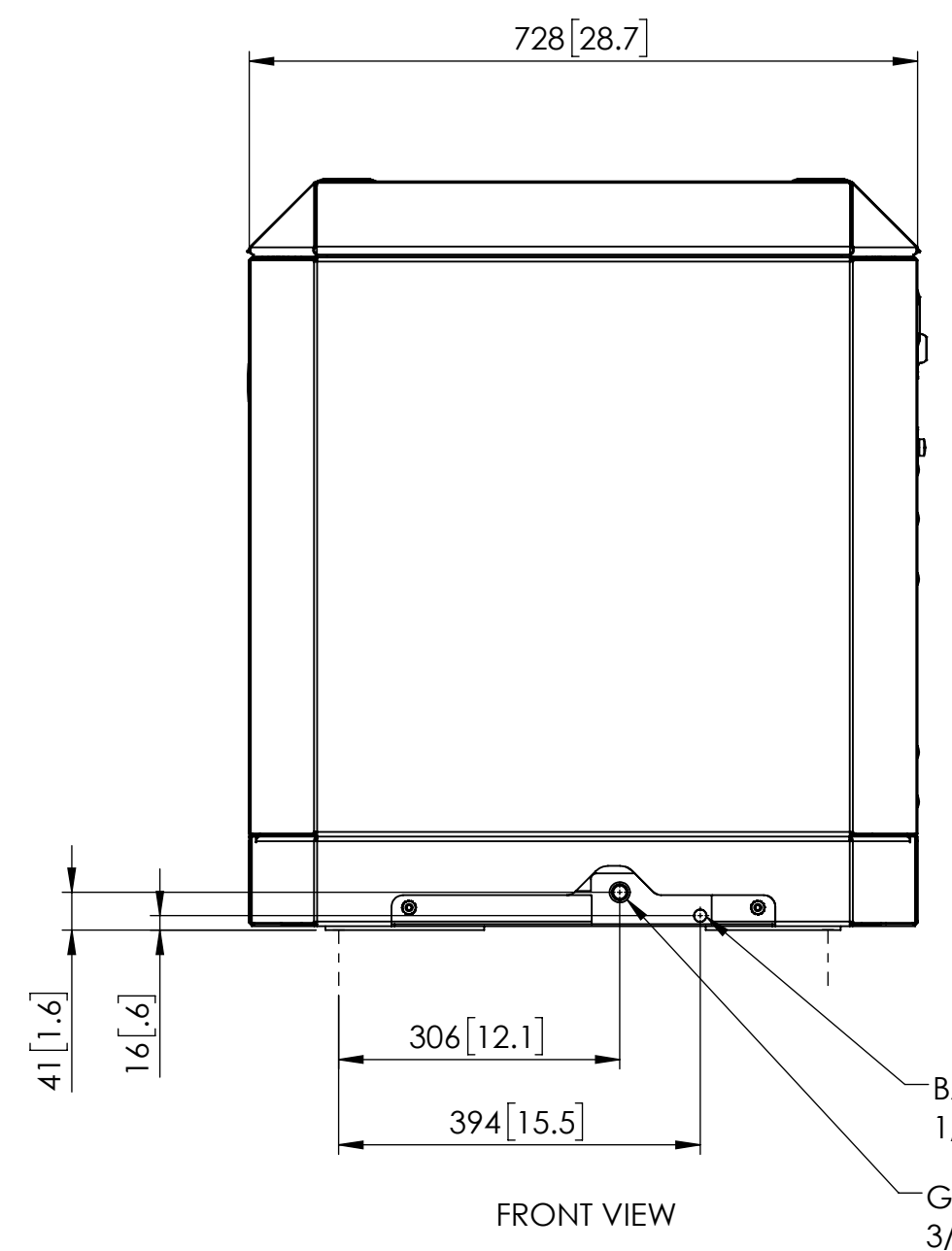
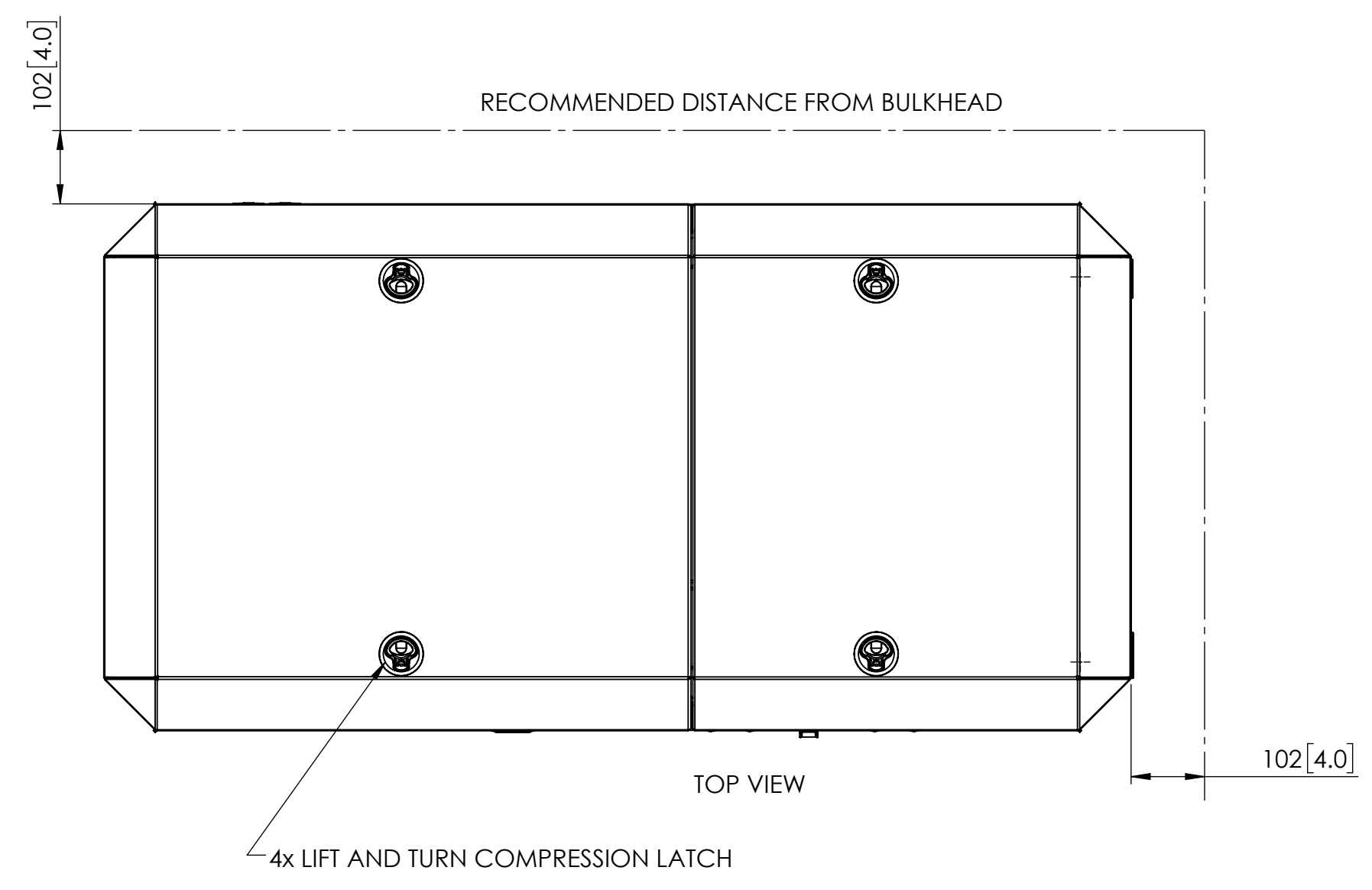
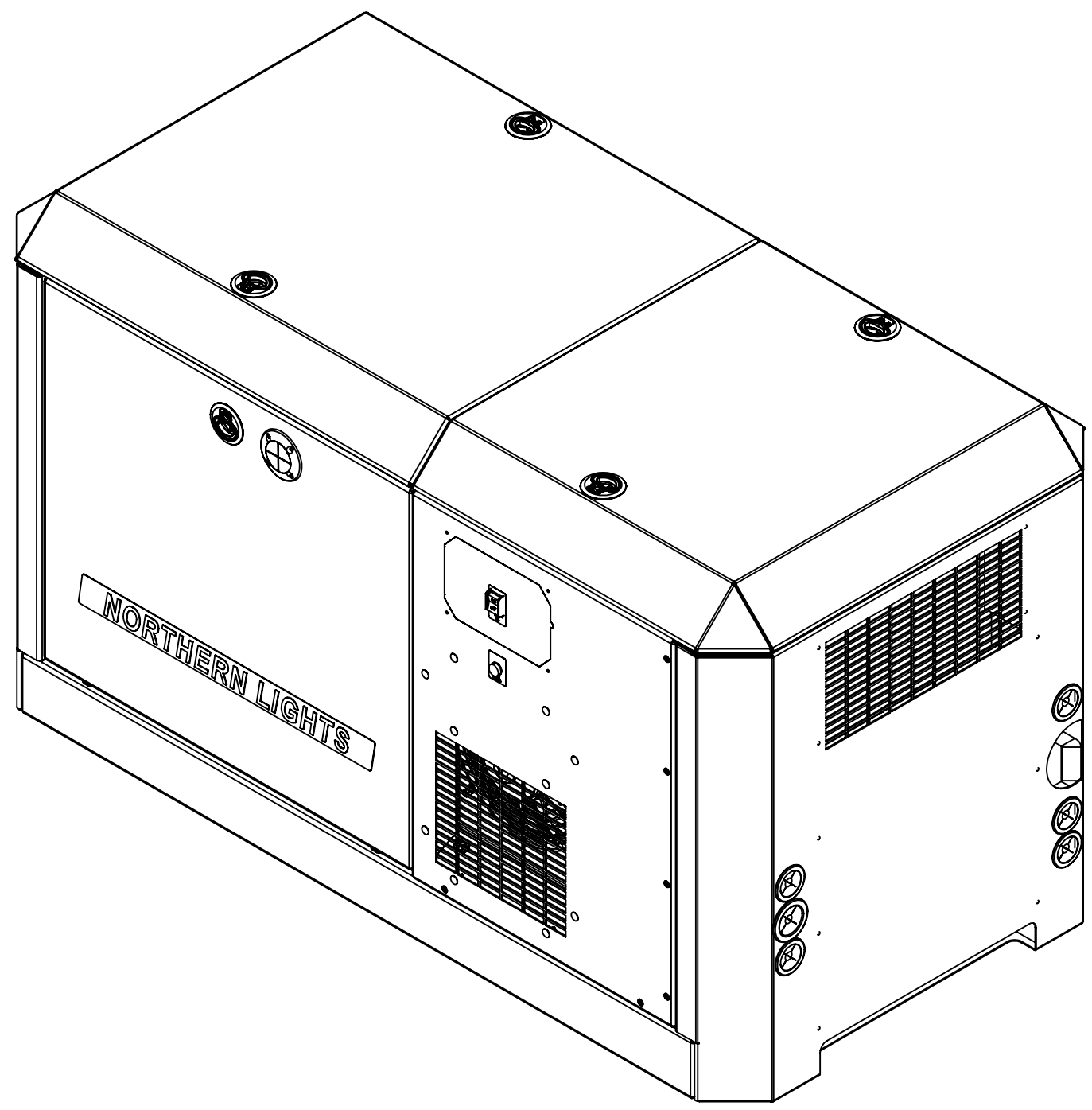


WEIGHT W/O GENSET 41 kg [91 lbs]	WEIGHT W/ GENSET 631 kg [1391 lbs]
-------------------------------------	---------------------------------------

APPLIES TO MODELS	
M944W3G.1 30kW 1800RPM 3PH 60HZ HE	
M944W3G.2 30kW 1800RPM 3PH 60HZ KC	
M944W3G.3 30kW 1800RPM 1PH 60HZ HE	
M944W3G.4 30kW 1800RPM 1PH 60HZ KC	
M944W3G.5 26kW 1500RPM 3PH 50HZ HE	
M944W3G.6 26kW 1500RPM 3PH 50HZ KC	
M944W3G.7 26kW 1500RPM 1PH 50HZ HE	
M944W3G.8 26kW 1500RPM 1PH 50HZ KC	

DC VOLTAGE	SHIELD P/N
12V DC	06-01260
24V DC	06-01215



UNLESS OTHERWISE SPECIFIED:	NAME	DATE
DIMENSIONS ARE IN MILLIMETERS	MK	12/2/19
TOLERANCES:		
ANGULAR:		
INTERPRET GEOMETRIC TOLERANCING PER: ASME Y14.5M		
MATERIAL:		
FINISH:		
DO NOT SCALE		

B	ECN#9856 ADDED TABLE FOR 24V APPLICATION	2/2/2026	LTP	
A	UPDATE BASE FRAME WITH 13MM OFFSET, ADD ISOMETRIC VIEW AND APPLICATION TABLE, ECN# 7850	3/7/2022	MK	LTP
REV.	DESCRIPTION	DATE	BY	CHECKED
REVISIONS				
NORTHERN LIGHTS				
4420 14th AVE, N.W. Seattle, WA 98107 (206) 789-3880 www.northern-lights.com				
TITLE: INSTALLATION DIMENSIONS M944W GEM SOUND SHIELD				
SIZE	PART NO.	DWG. NO.	REV	
D	SEE TABLE	D-5200	B	
SCALE: 1:8	WEIGHT:		SHEET 1 OF 1	