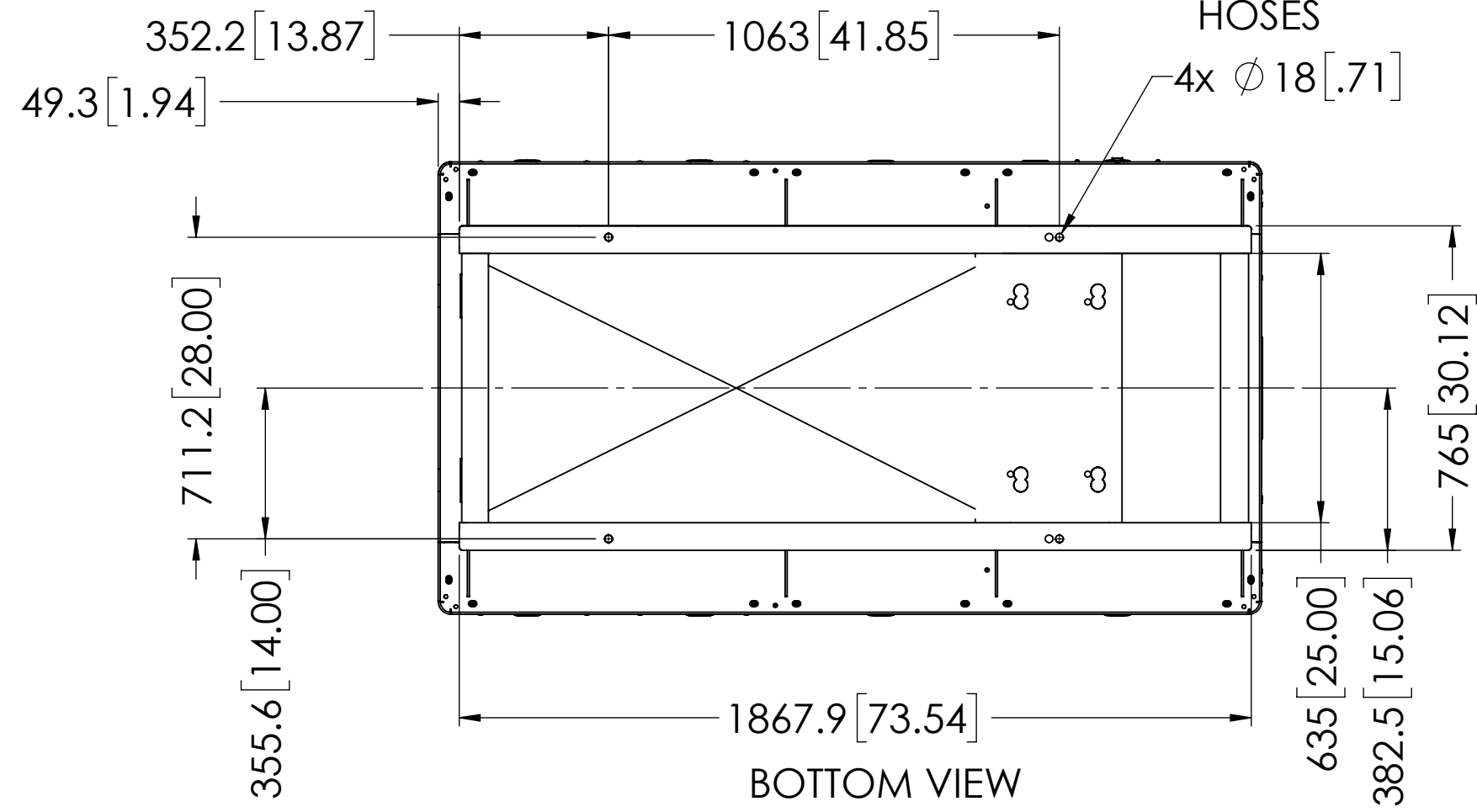
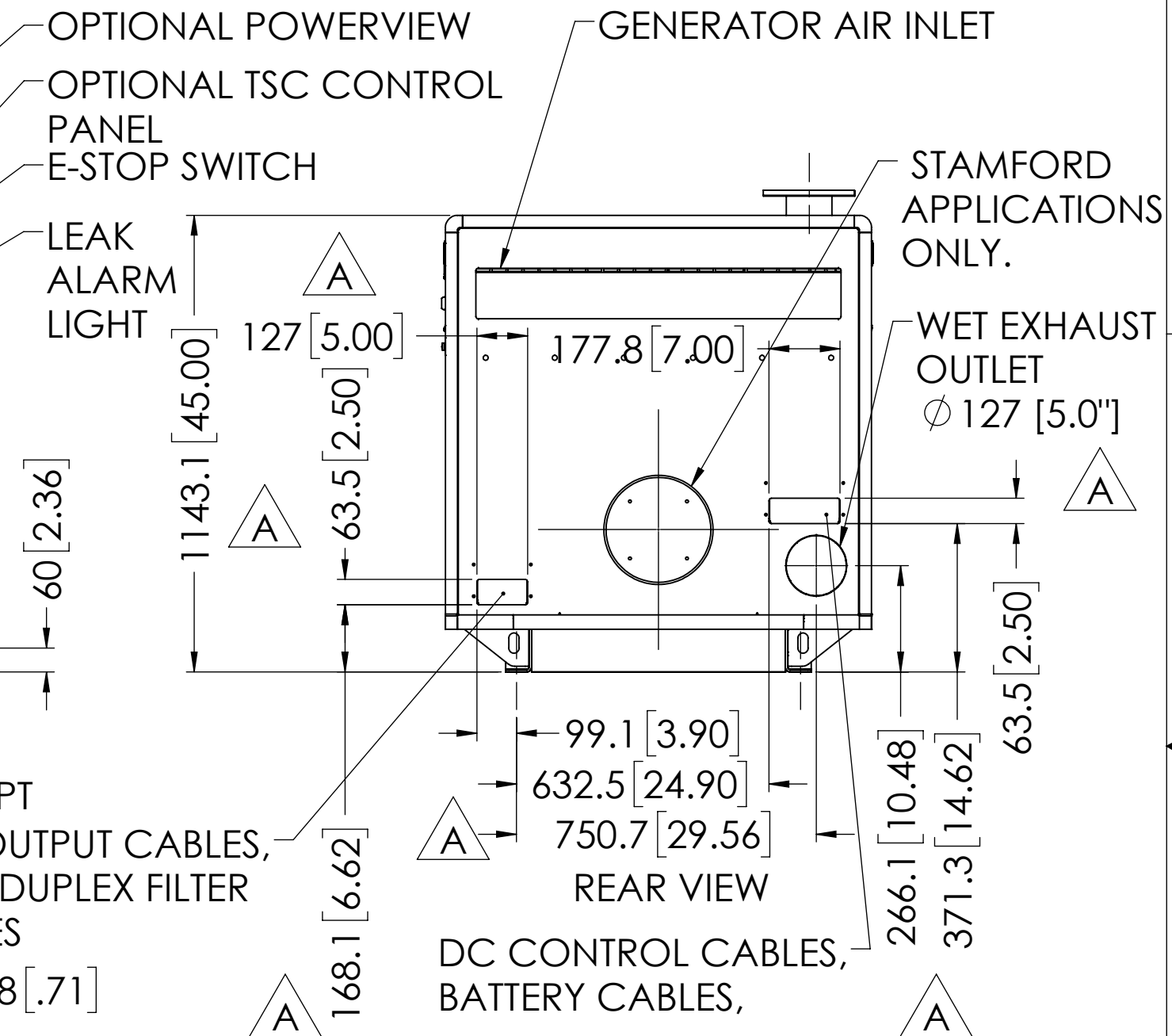
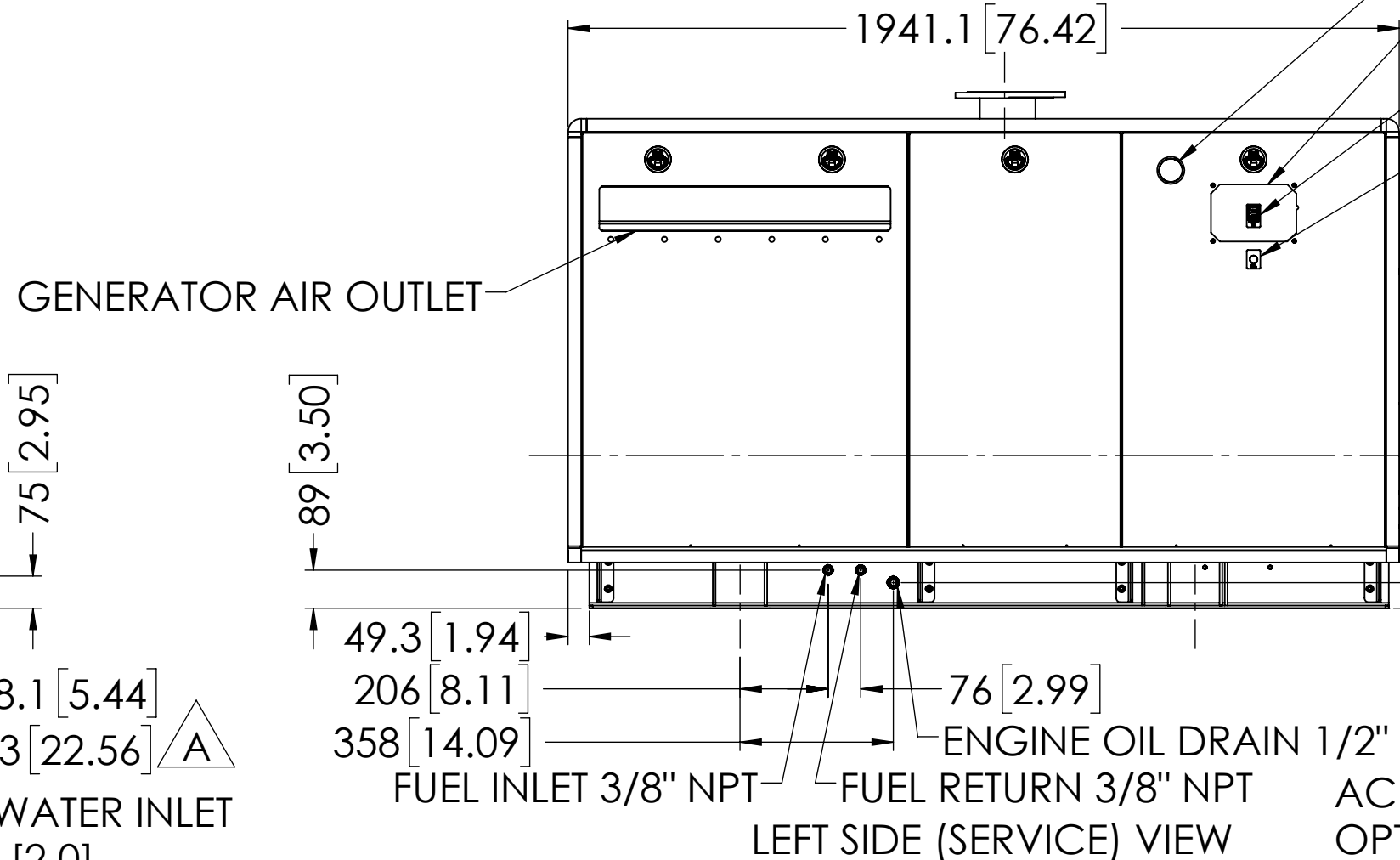
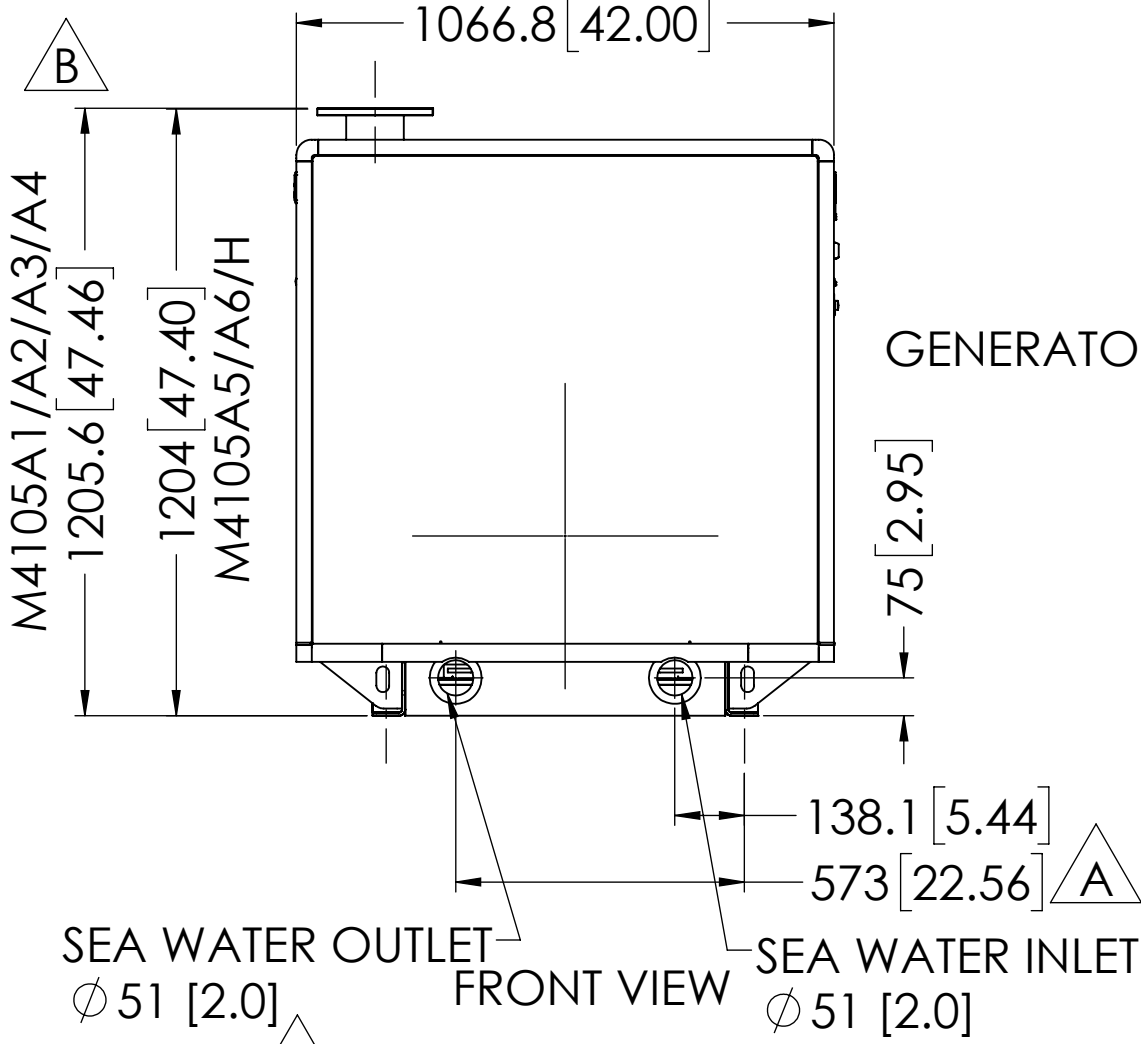
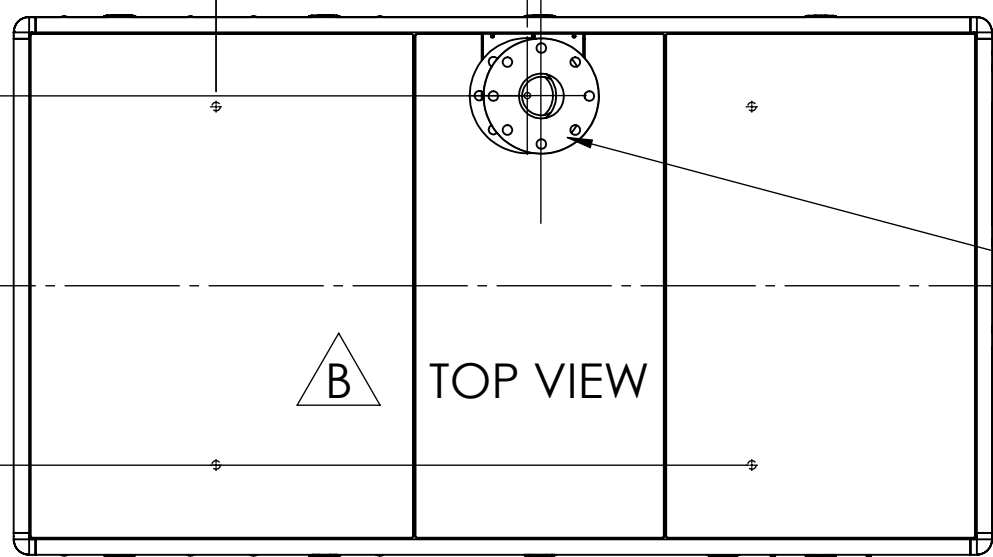
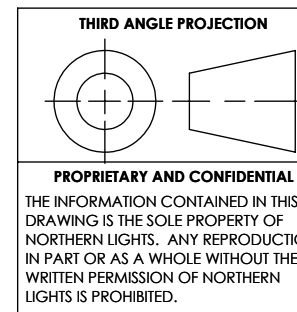


M4105A1/A2/A3/A4 645 [25.39]  
 M4105A5/A6/H 618 [24.33]

REVISIONS			
REV.	DESCRIPTION	DATE	BY
A	ECN#9589 INCREASED LENGTH OF SHIELD BY ONE INCH. UPDATED CONNECTION PENETRATIONS.	6/28/2025	LTP
B	ECN#9652 ADDED TOP VIEW WITH DRY EXHAUST OUTPUT FLANGE LOCATION DIMENSIONS	8/19/2025	LTP



NOTES:  
 1. PRELIMINARY ARRANGMENT WITH DIMENSIONS.



UNLESS OTHERWISE SPECIFIED: DIMENSIONS ARE IN MILLIMETERS		NAME	DATE
TOLERANCES: ANGULAR: MACH ± 0.5° BEND ± 1.0° X = ± 0.5 .XX = ± 0.3		LTP	5/26/2023
INTERPRET GEOMETRIC TOLERANCING PER: ASME Y14.5M		CHECKED	-
MATERIAL		ENG APPR.	-
FINISH		MFG APPR.	-
DO NOT SCALE DRAWING		Q.A.	-
PRELIMINARY		COMMENTS:	

**NORTHERN LIGHTS** 4420 14th AVE. N.W.  
 Seattle, WA 98107  
 (206) 789-3880  
 www.northern-lights.com

TITLE: **INSTALLATION DIMENSIONS  
 M4105A-H SOUND SHIELD**

SIZE <b>C</b>	PART NO.	DWG. NO. <b>C-7624</b>	REV <b>B</b>
SCALE: 1:15		WEIGHT: TBD	SHEET 1 OF 1