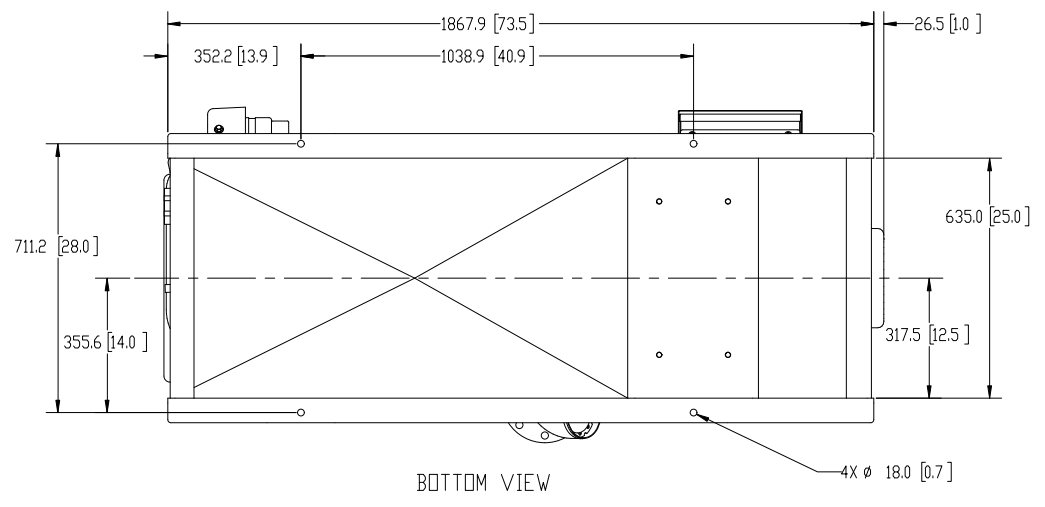
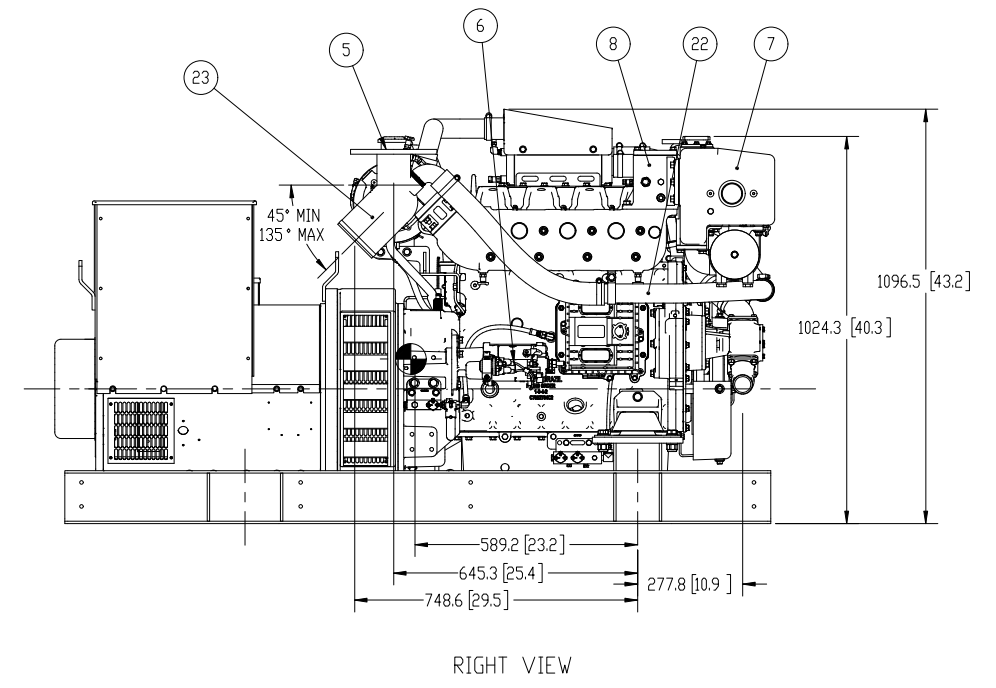
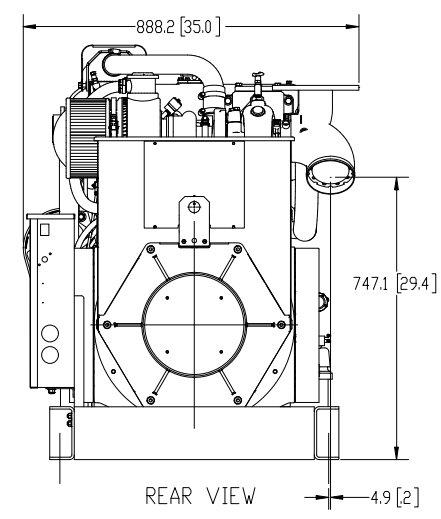
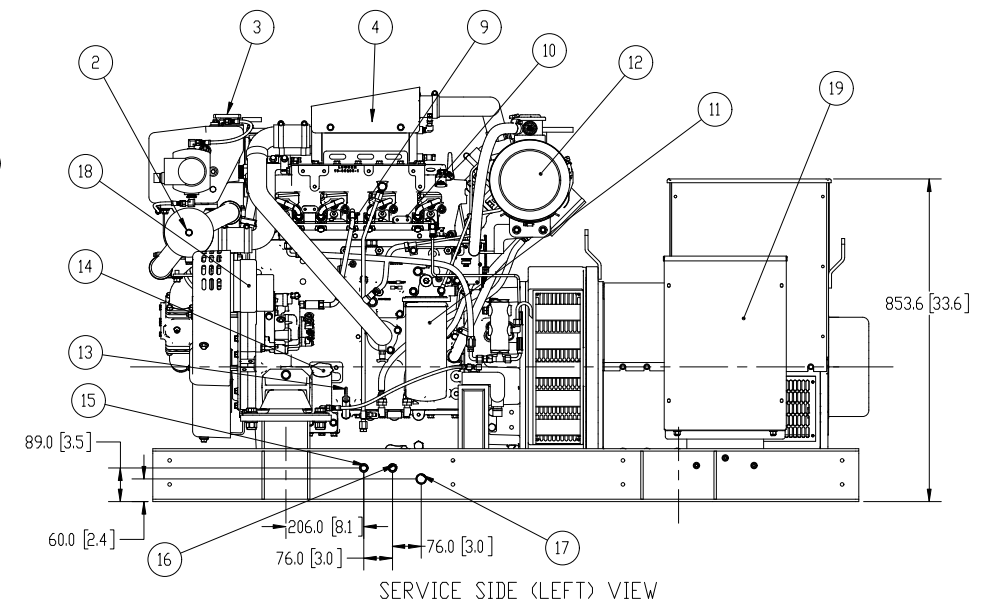
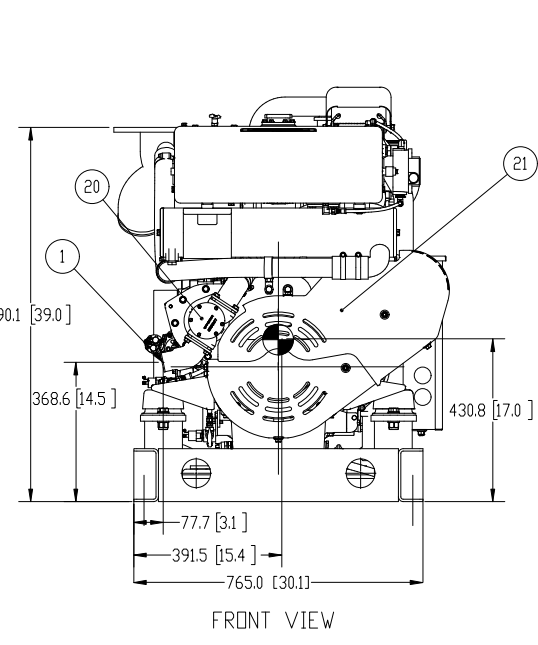
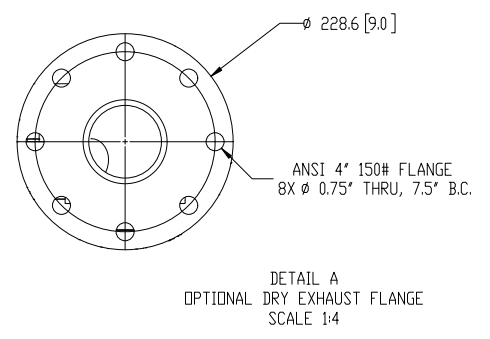
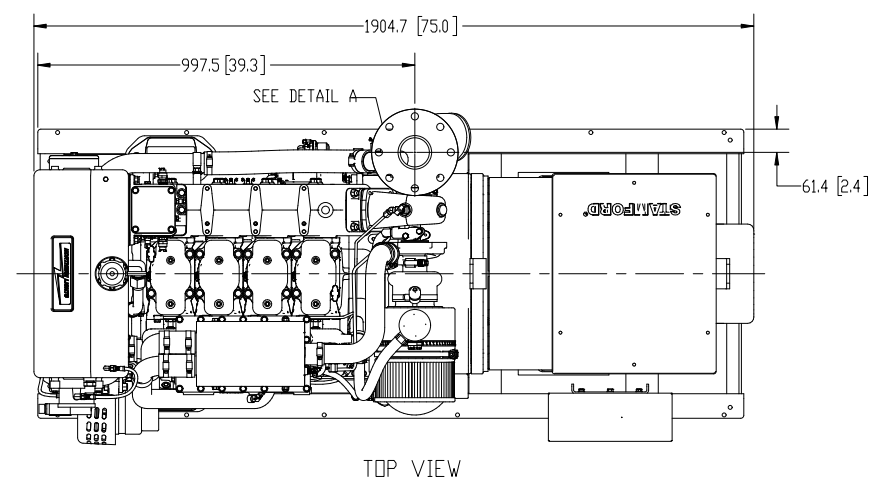
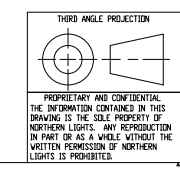


MODEL	DESCRIPTION	SHIPPING WEIGHT, LBS (KG)	WET WEIGHT, LBS (KG)
M4105A1.5S	90KW @ 1500 RPM (50 HZ), HEAT EXCHANGED	2840 [1288]	2931 [1329]
M4105A2.5S	105KW @ 1500 RPM (50 HZ), HEAT EXCHANGED	2840 [1288]	2931 [1329]

ITEM	DESCRIPTION	ITEM	DESCRIPTION
1	RAW WATER INLET (Ø 2.0" H.B.)	14	ENGINE OIL FILL
2	HEAT EXCHANGER	15	FUEL RETURN PORT (3/8" NPT)
3	COOLANT FILL	16	FUEL SUPPLY PORT (3/8" NPT)
4	AFTERCOOLER	17	OIL DRAIN PORT (1/2" NPT)
5	OPT. DRY EXHAUST ELBOW (Ø 4")	18	ALTERNATOR
6	ELECTRIC STARTER	19	DC JUNCTION BOX
7	EXPANSION TANK	20	RAW WATER PUMP
8	THERMOSTAT HOUSING	21	BELT GUARD
9	FUEL/ WATER SEPARATOR	22	RAW WATER OUTLET (Ø 2" H.B.)
10	FUEL FILTER	23	OPT. WET EXHAUST ELBOW Ø 5" H.B.)
11	OIL FILTER		
12	AIR & COALESCING FILTER		
13	ENGINE OIL DIPSTICK		



NOTES: WEIGHT VALUES ARE APPROXIMATIONS. SHIPPING WEIGHT INCLUDES OIL BUT NO COOLANT. WET WEIGHT INCLUDES OIL AND COOLANT. VALUES ARE SUBJECT TO CHANGE. CONTACT NLI TO BE SURE YOU HAVE THE LATEST REVISION.



UNLESS OTHERWISE SPECIFIED:	UNITS: DIMENSIONS ARE IN MILLIMETERS	FINISH:	DO NOT SCALE
ANGULAR TOLERANCES:	MACH ± 0.5° BEND ± 10°	INTERPRET GEOMETRIC TOLERANCING PER: ASME Y14.5M	
SCALE: 1:10	WEIGHT: NOTED IN TABLE	SHEET 1 OF 1	

		4420 14th AVE. N.W. Seattle, WA 98107 (206) 789-3880 www.northern-lights.com	
TITLE: INSTALLATION DIMENSIONS M4105A/STAMFORD UCM274E/F HEAT EXCHANGED			
SIZE: D	PART NO: SEE TABLE	DWG. NO: D-5683	REV: 1

REV D-5683