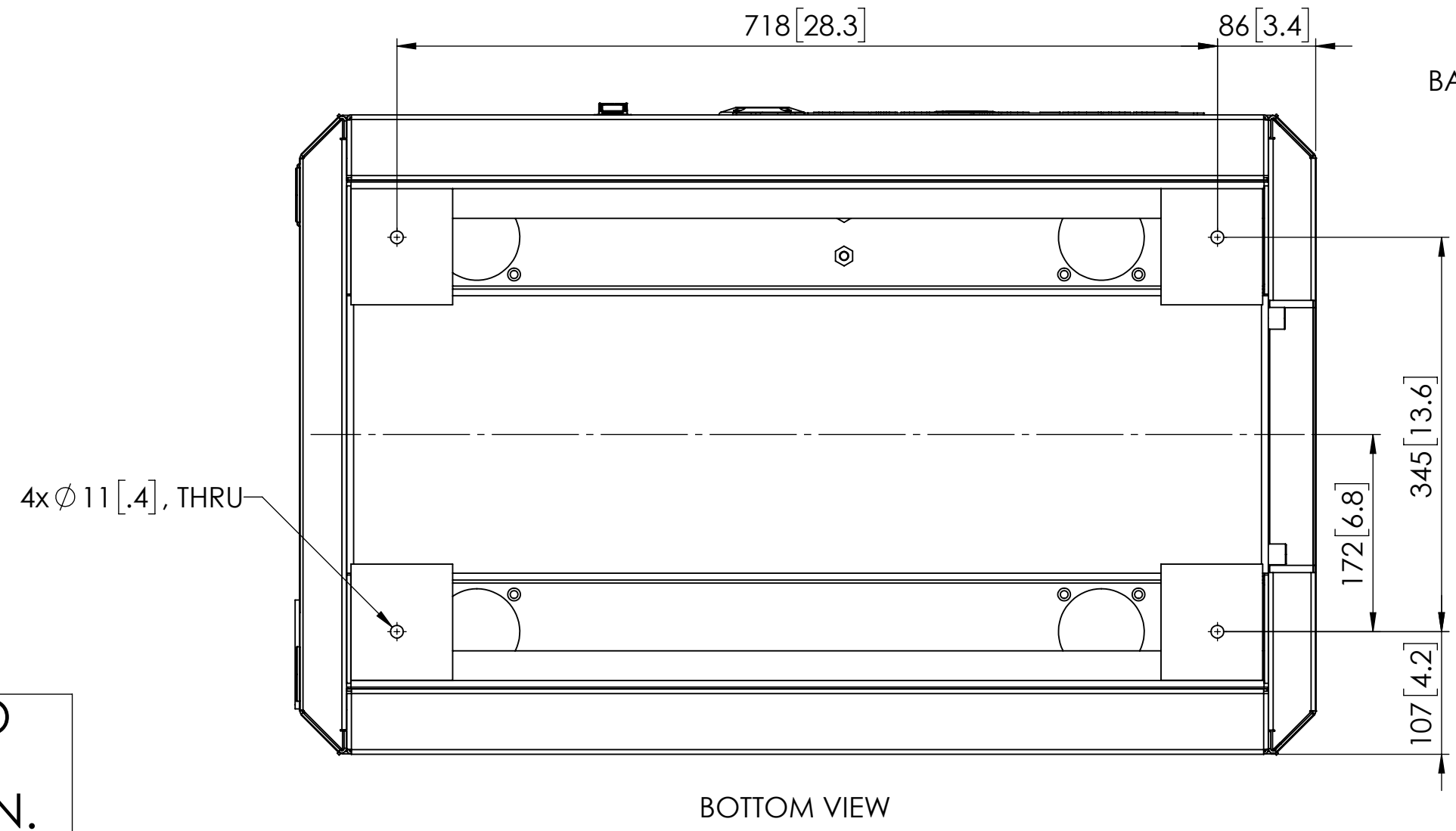
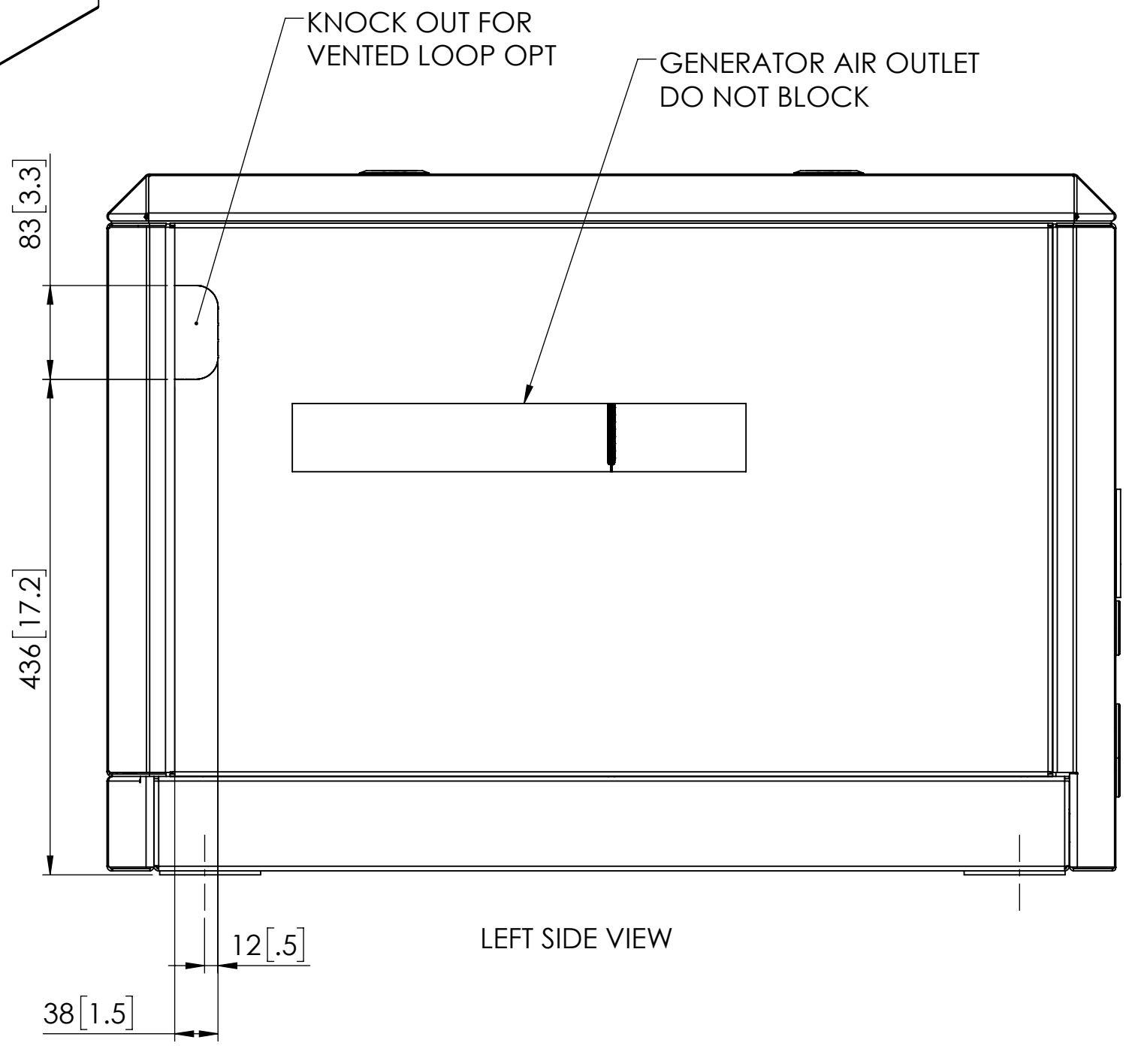
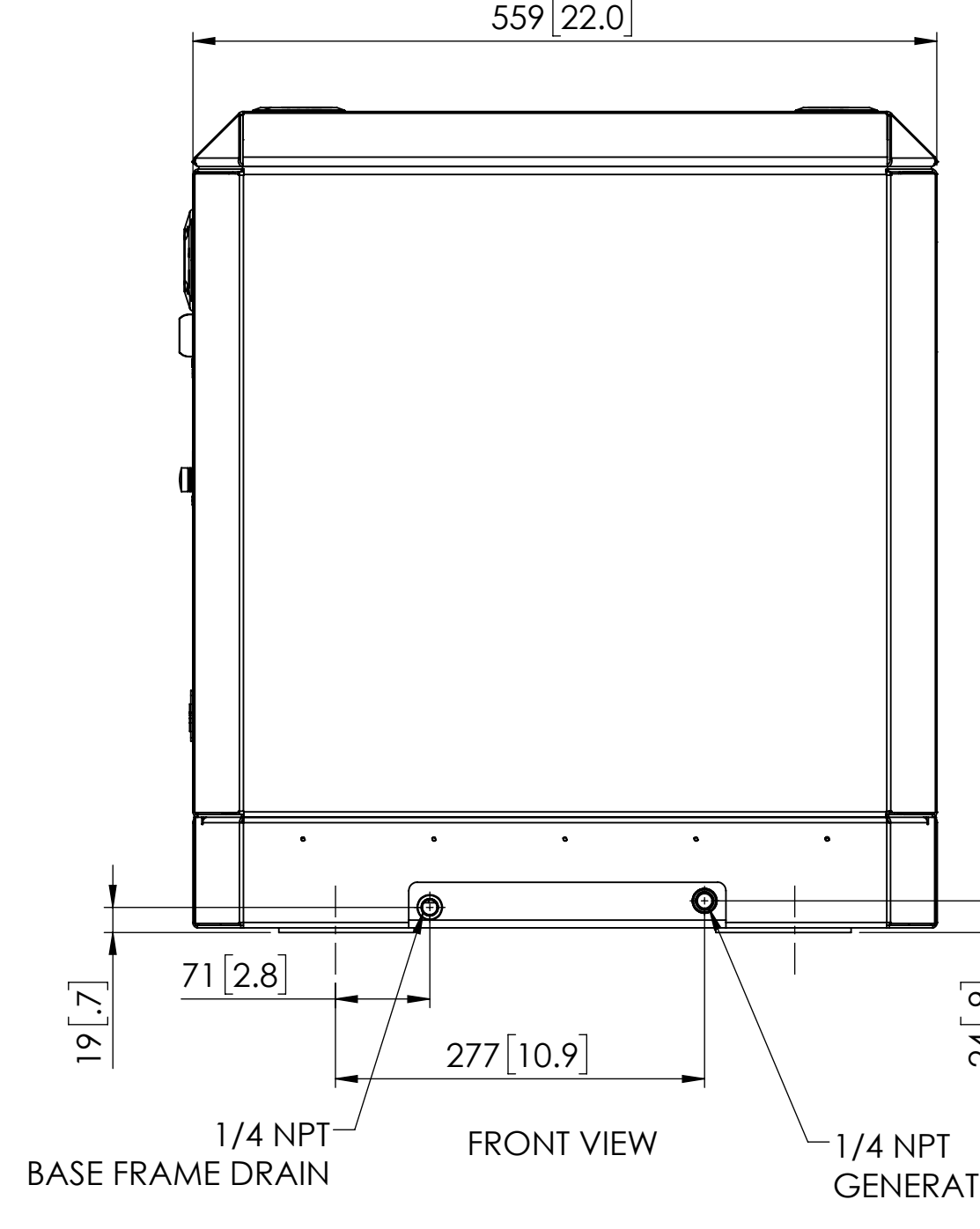
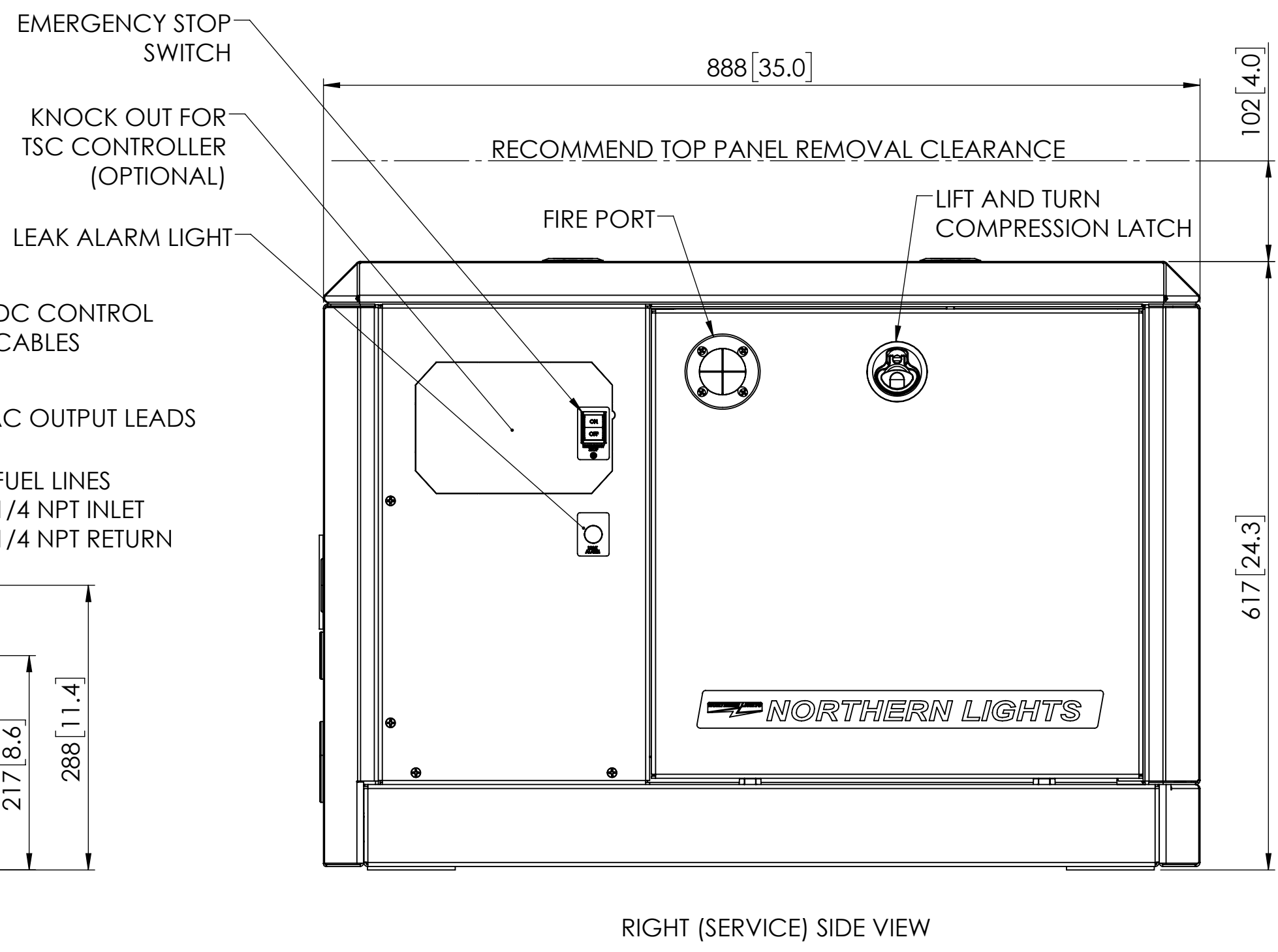
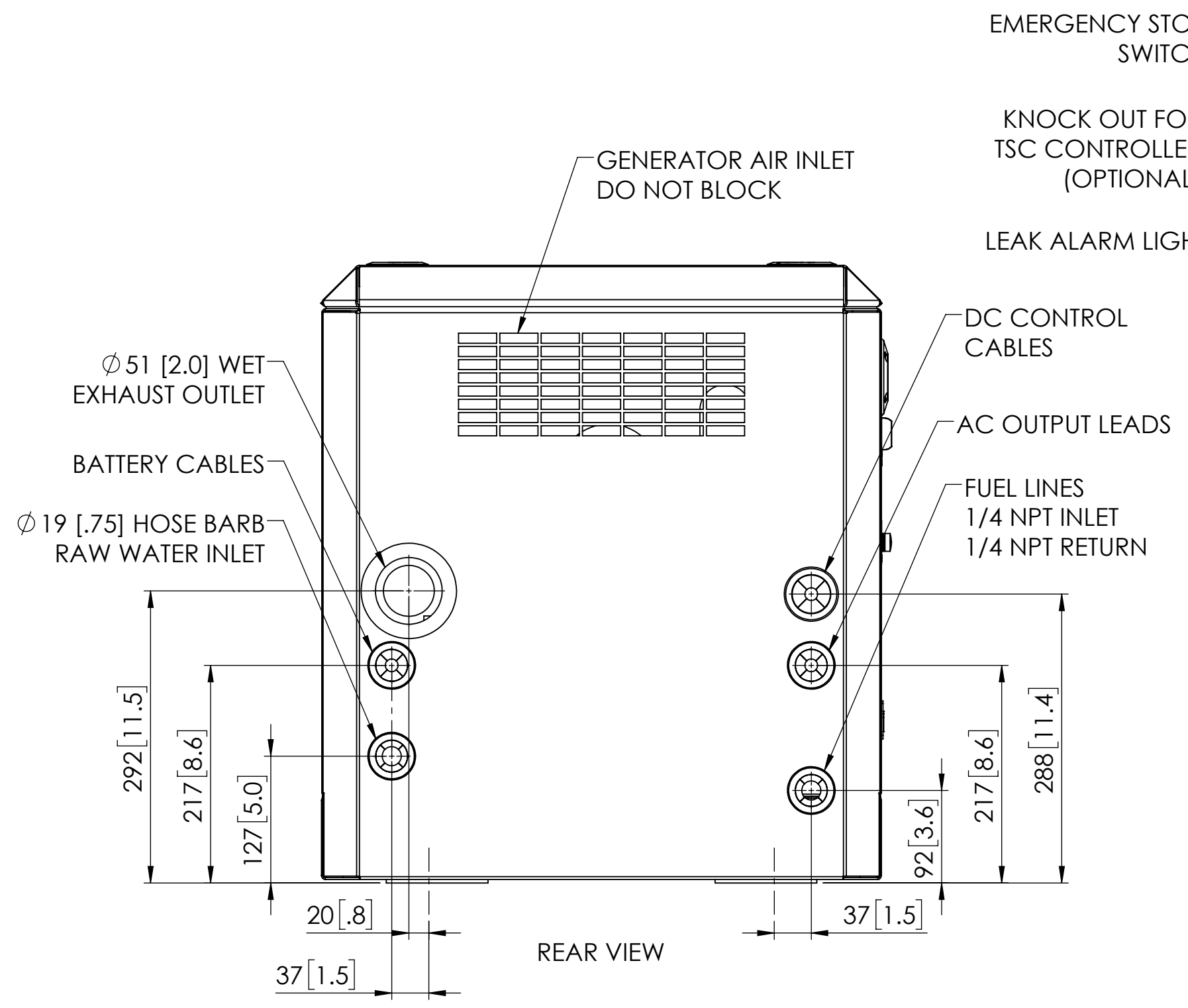
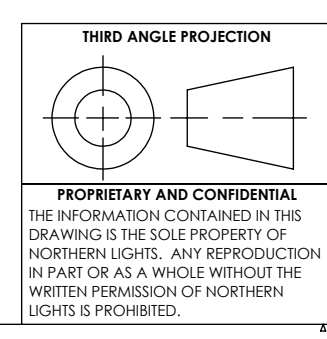


WEIGHT W/O GENSET		WEIGHT W/ GENSET			
19.5 kg [43 lbs]		263.0 kg [580 lbs]			
SHIELD P/N	GENERATOR APPLICATION TABLE				
06-78650	M773LW3G	9kW	1800RPM	3PHASE	60 HZ.
06-78650	M773LW3G	9kW	1800RPM	1PHASE	60 HZ.
06-78650	M773LW3G	7kW	1500RPM	3PHASE	50 HZ.
06-78650	M773LW3G	7kW	1500RPM	1PHASE	50 HZ.
06-78665	M773LW3GN	9kW	1800RPM	3 PHASE	60 HZ.
06-78665	M773LW3GN	9kW	1800RPM	1 PHASE	60 HZ.
06-78665	M773LW3GN	7kW	1500RPM	3 PHASE	50 HZ.
06-78665	M773LW3GN	7kW	1500RPM	1 PHASE	50 HZ.



THE DIMENSION ON THIS DRAWING ARE SUBJECT TO CHANGE. PLEASE CONTACT NORTHERN LIGHTS INC TO BE SURE YOU HAVE THE MOST CURRENT REVISION.



UNLESS OTHERWISE SPECIFIED:		NAME	DATE
DIMENSIONS ARE IN MILLIMETERS		DRAWN	MK
TOLERANCES:		CHECKED	MG
ANGULAR: MACH ± 0.5°		ENG APPR.	
X ± 0.3		MFG APPR.	
XX ± 0.3		Q.A.	
INTERPRET GEOMETRIC TOLERANCING PER: ASME Y14.5M		COMMENTS:	
MATERIAL:			
FINISH:			
DO NOT SCALE			

REV.	DESCRIPTION	DATE	BY
C	ECN#9962 CORRECTED APPLICATION TABLE MODEL P/N'S WAS 05-NOW 06- FOR GEM	4/3/2026	LTP
B	ECN#9829 ADDED SOUND SHIELD PART NUMBERS TO TABLE	1/22/2026	LTP
A	ADDED M773LW3GN MODEL TABLE, ECN#9823	1/13/2026	LTP

REVISIONS

NORTHERN LIGHTS 4420 14th AVE. N.W. Seattle, WA 98107 (206) 789-3880 www.northern-lights.com

TITLE: **INSTALLATION DIMENSIONS M773LW3G/M773LW3GN GEM SERIES SOUND SHIELD**

SIZE: **D** PART NO: **SEE TABLE** DWG. NO: **D-5199** REV: **C**

SCALE: 1:5 WEIGHT: SHEET 1 OF 1